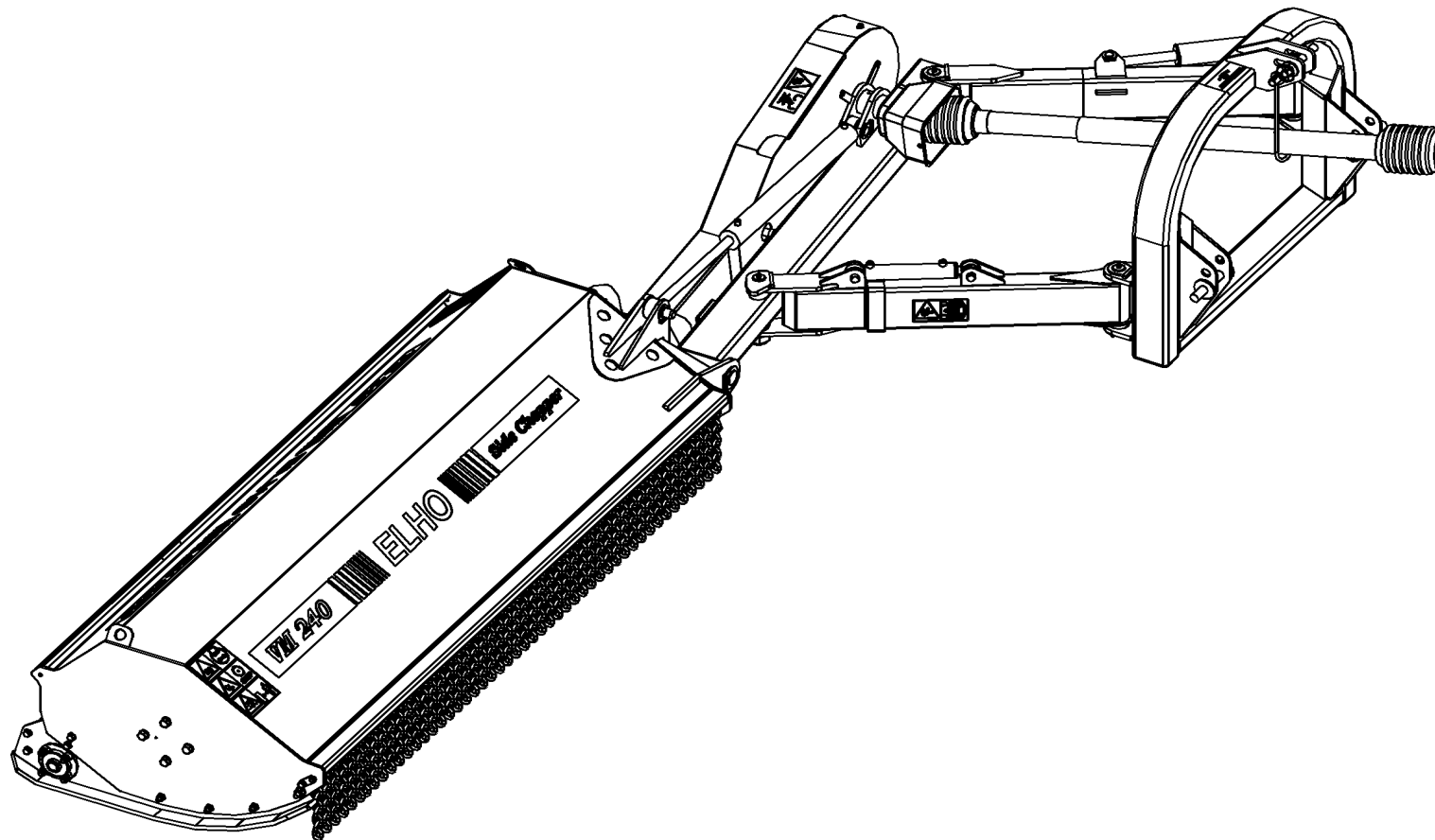




Spare Parts/ Ersatzteile/ Reservdelar/ Varaosat

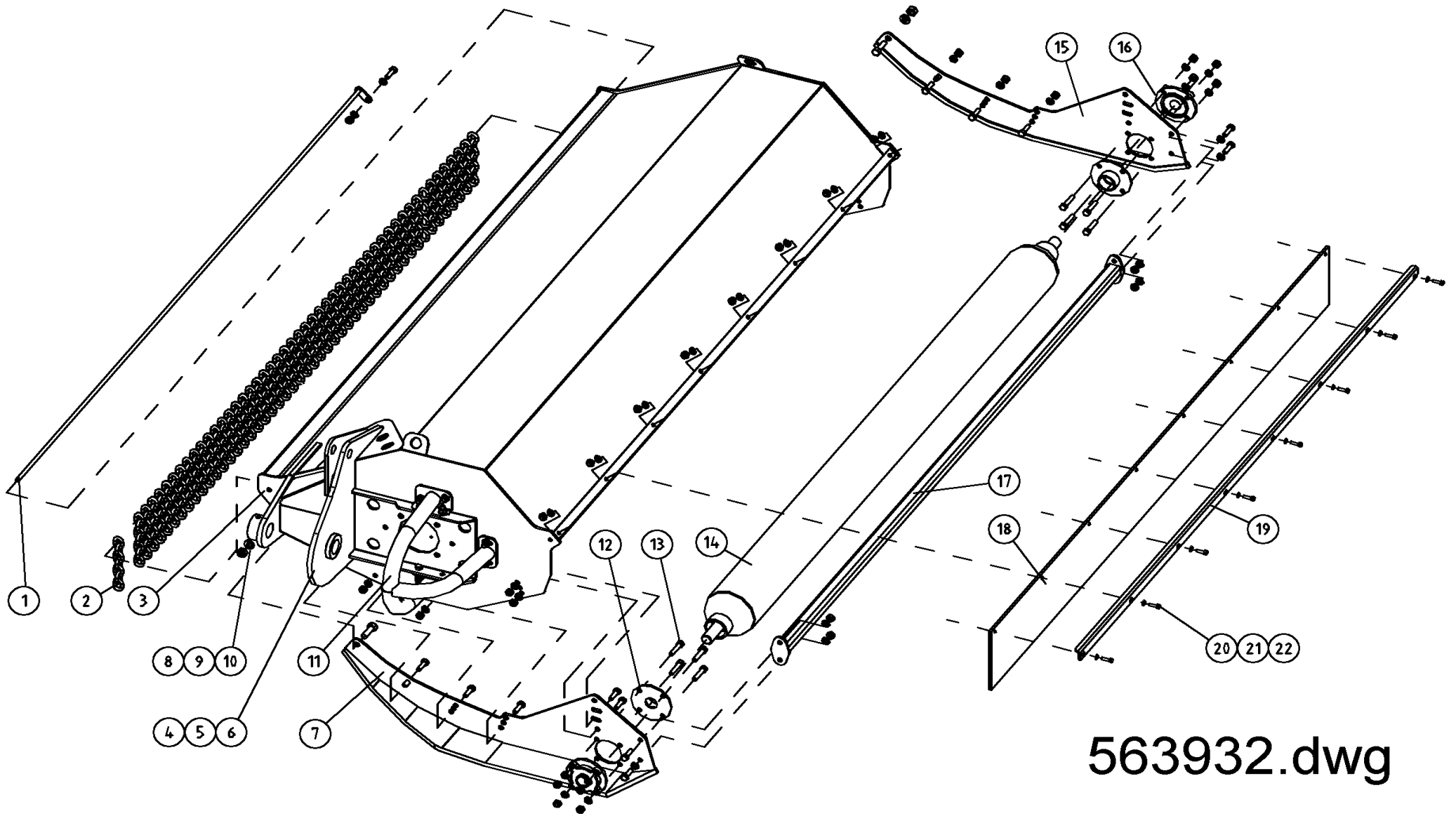
## **Side Chopper VM 240**

Serie 10.2



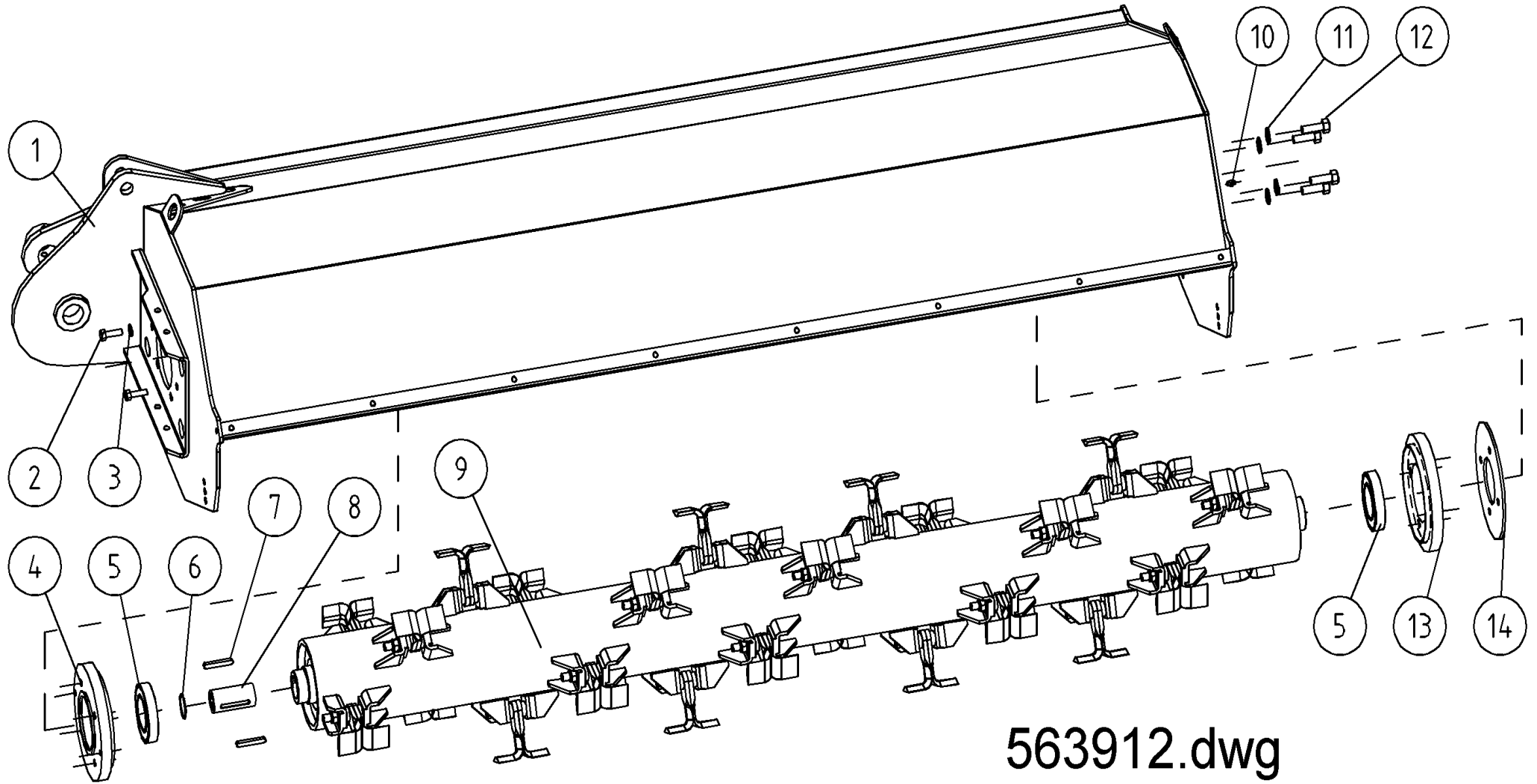
**956019 GB/DE/SE/FI**

**Oy ELHO ab**  
68910 BENNÄS  
Finland



563932.dwg

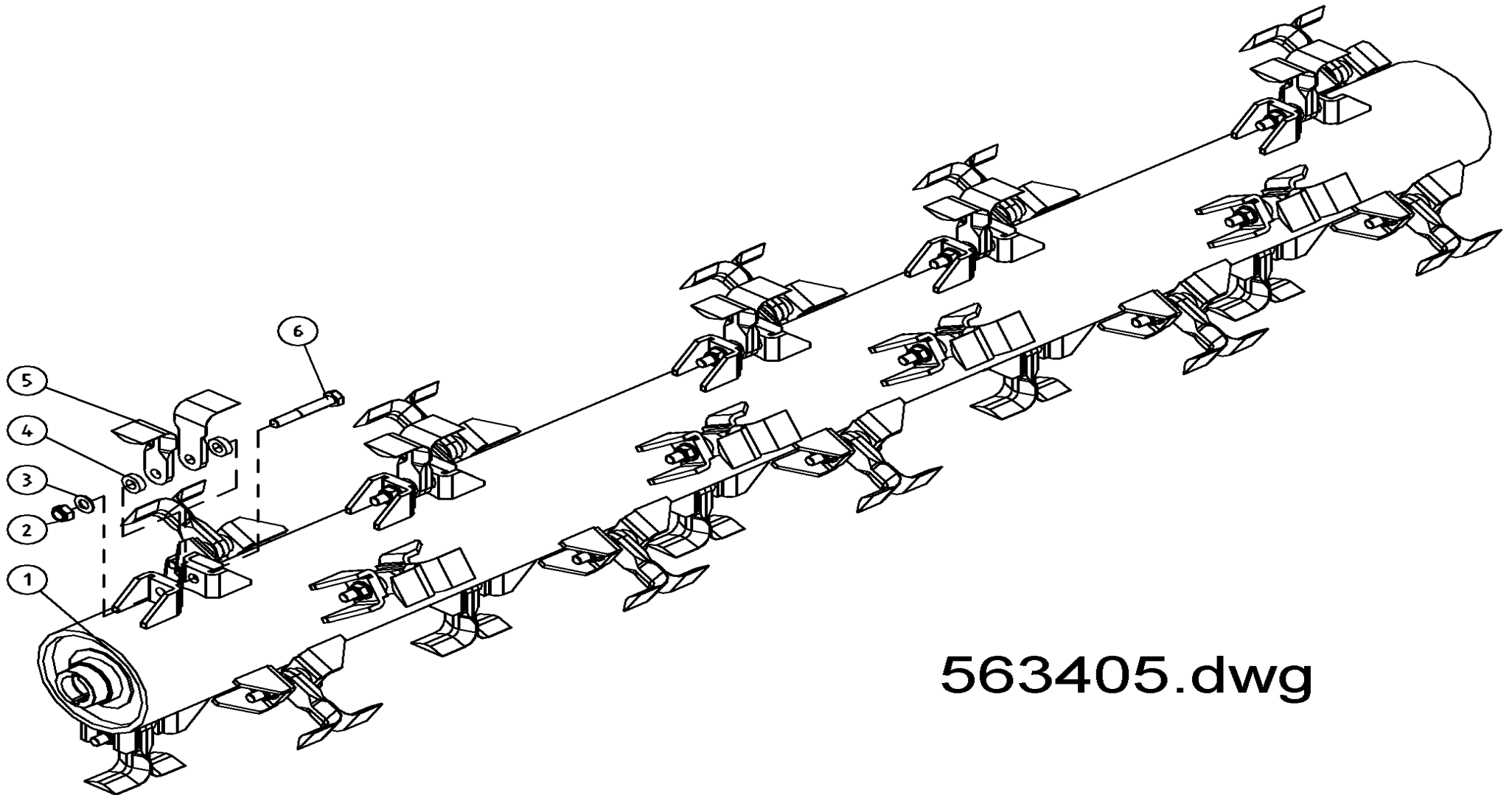
| Pos | Name               | Nahme             | Benämning            | Nimike                   | Kvalitet              | NO     | Pcs |
|-----|--------------------|-------------------|----------------------|--------------------------|-----------------------|--------|-----|
| 1   | Mounting pin       | Welle             | Stenskydds axel      | Pidike tanko             | VM 240                | 564360 | 1   |
| 2   | Protection chain   | Schutz kette      | Skyddsketting        | Suojausketju             |                       | 563755 | 91  |
| 3   | Frame with rotor   | Rahmen mit rotor  | Slåtterram med rotor | Murskainrunko rottorilla | VM 240                | 563912 | 1   |
| 4   | Washer             | Scheibe           | Bricka               | Aluslaatta               | DIN 125A M12/13 ZN    | 131790 | 23  |
| 5   | Screw              | Schraube          | 6-k Skruv hg         | Kuusioruuvi              | DIN 933 8.8 M12X35 ZN | 130980 | 15  |
| 6   | Nut                | Muttern           | Låsmutter            | Lukitusmutteri           | DIN 985-8 M12 ZN      | 131600 | 23  |
| 7   | Slides left        | Gleitschuh links  | Glidsko vänster      | Liukukenkä vasen         | VM 200 10.2 2006      | 563375 | 1   |
| 8   | Nut                | Muttern           | Låsmutter            | Lukitusmutteri           | DIN 985-8 M16 ZN      | 131630 | 2   |
| 9   | Screw              | Schraube          | 6-k Skruv hg         | Kuusioruuvi              | DIN 933 8.8 M16X40 ZN | 131180 | 2   |
| 10  | Washer             | Scheibe           | Bricka               | Aluslaatta               | DIN 125A M16/17 ZN    | 131810 | 2   |
| 11  | Gearbox protection | Getriebe schutz   | Vinkelväxelskydd     | Suojakaari               |                       | 563860 | 1   |
| 12  | Winding guard      | Winkelschutz      | Lindningsskydd       | Kiertomissuoja           |                       | 563805 | 2   |
| 13  | Screw              | Schraube          | 6-k Skruv dg         | Kuusioruuvi              | DIN 931 8.8M12x60ZN   | 130348 | 8   |
| 14  | Roller             | Walze             | Markrulle            | Tukirulla                | VM 240                | 564310 | 1   |
| 15  | Slides right       | Gleitschuh rechts | Glidsko höger        | Liukukenkä oikea         | VM 200 10.2 2006      | 563370 | 1   |
| 16  | Bearing            | Lager             | Flänslager           | Laippalaakeri            | UCFC 207              | 140547 | 2   |
| 17  | Mounting rod       | Verbindung rohr   | Mellanstag           | Tukivarsi                | VM 240                | 564320 | 1   |
| 18  | Protection         | Schutz            | Gummi matta          | Kumi matto               | VM 240                | 564350 | 1   |
| 19  | Angluar profile    | Vinkel Liste      | List till gummimatta | Asennuslista             | VM 240                | 564355 | 1   |
| 20  | Screw              | Schraube          | 6-k Skruv hg         | Kuusioruuvi              | DIN 933 8.8 M10X30 ZN | 130880 | 8   |
| 21  | Washer             | Scheibe           | Bricka               | Aluslaatta               | DIN 125A M10/10.5 ZN  | 131770 | 16  |
| 22  | Nut                | Muttern           | Låsmutter            | Lukitusmutteri           | DIN 985-8 M10 ZN      | 131580 | 8   |



563912.dwg

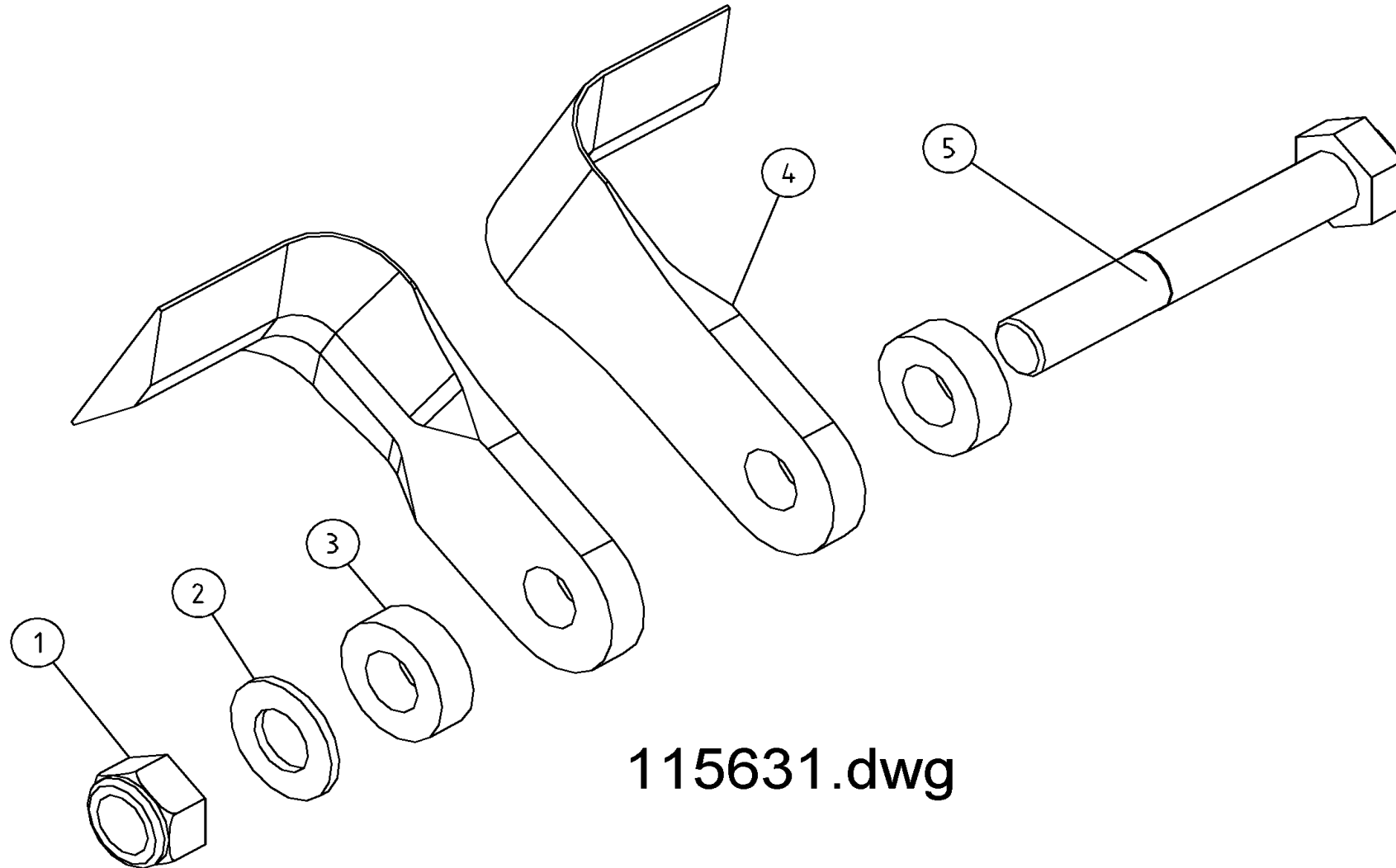
| Pos | Name               | Nahme            | Benämning          | Nimike             |                       | NO     | Pcs |
|-----|--------------------|------------------|--------------------|--------------------|-----------------------|--------|-----|
| 1   | Frame              | Rahmen           | Slåtterram         | Murskainrunko      | VM 240                | 563202 | 1   |
| 2   | Screw              | Schraube         | 6-k Skruv hg       | Kuusioruuvi        | DIN 933 8.8 M12X40 ZN | 131000 | 2   |
| 3   | Washer             | Scheibe          | Låsbricka          | Lukituslaatta      | NORD-LOCK M 12 ZNC    | 133460 | 2   |
| 4   | Flange Left        | Flansche Links   | Lagerhus vänster   | Laakeripesä V.     |                       | 563450 | 1   |
| 5   | Bearing            | Lager            | Kullager           | Laakeri            | 6214 Z                | 140291 | 2   |
| 6   | Seeger ring        | Sicherungring    | Låsring för hål    | Varmistinrengas    | DIN 472 48X1,75       | 132157 | 1   |
| 7   | Spline             | Keile            | Flatkil            | Laattakiila        | DIN 6885 A 10X8X60    | 132968 | 2   |
| 8   | Bush               | Buche            | Splines hylsa      | Uraholkki          |                       | 563480 | 1   |
| 9   | Rotor with L-nifes | Rotor mit messer | Rotor med L-slagor | Rottori L-terineen | VM 240 60 40x10       | 563405 | 1   |
| 10  | Grease nipple      | Smiernippel      | Smörjnippa         | Voitelunippa       | M6x1                  | 140950 | 1   |
| 11  | Washer             | Scheibe          | Låsbricka          | Lukituslaatta      | NORD-LOCK M 16 ZNC    | 133465 | 4   |
| 12  | Screw              | Schraube         | 6-k Skruv dg       | Kuusioruuvi        | DIN 931 8.8 M16X50 ZN | 130500 | 4   |
| 13  | Flange Right       | Flansche Rechts  | Lagerhus höger     | Laakeripesä O.     |                       | 565182 | 1   |
| 14  | Spacer             | Scheibe          | Distans skiva      | Välilevy           |                       | 563466 | 1   |

| Pos | Name     | Nahme         | Benämning        | Nimike               |                               | NO     | Pcs |
|-----|----------|---------------|------------------|----------------------|-------------------------------|--------|-----|
| 1   | Rotor    | Rotor         | Rotor            | Roottori             | VM 240 28                     | 563416 | 1   |
| 2   | Nut      | Muttern       | Metall låsmutter | Metalli lukkomutteri | DIN 980 V M16 ZN              | 131632 | 28  |
| 3   | Washer   | Scheibe       | Bricka           | Aluslaatta           | DIN 125A M16/17 ZN            | 131810 | 28  |
| 4   | Distance | Zwischenhülse | Distanshylsa     | Väliholkki           |                               | 503982 | 56  |
| 5   | L-blade  | Messer        | L-bett           | L-terä               | 40x10 L=115                   | 157553 | 56  |
| 6   | Screw    | Schraube      | 6-k Skruv dg     | Kuusioruuvi          | (DIN 931) Elho 12.9 M16X90 ZN | 130537 | 28  |



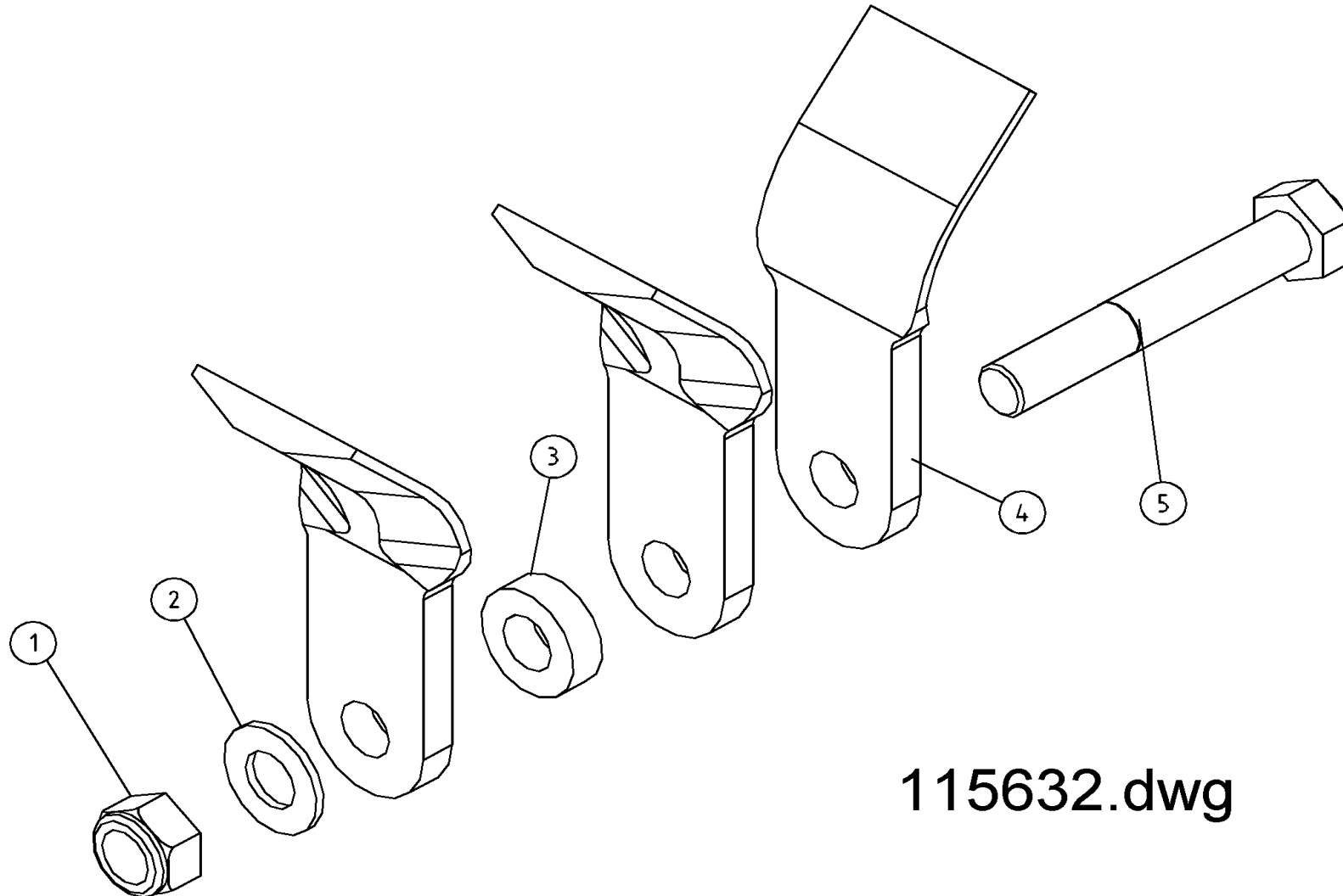
563405.dwg

| Pos | Name        | Nahme           | Benämning        | Nimike               |                               | NO     | Pcs |
|-----|-------------|-----------------|------------------|----------------------|-------------------------------|--------|-----|
|     | L-blade kit | L-messer serien | L-bett serie     | L-terä sarja         |                               | 115631 |     |
| 1   | Nut         | Muttern         | Metall låsmutter | Metalli lukkomutteri | DIN 980 V M16 ZN              | 131632 | 28  |
| 2   | Washer      | Scheibe         | Bricka           | Aluslaatta           | DIN 125A M16/17 ZN            | 131810 | 28  |
| 3   | Distance    | Zwischenhülse   | Distanshylsa     | Väliholkki           |                               | 503982 | 56  |
| 4   | L-blade     | Messer          | L-bett           | L-terä               | 40x10 L=115                   | 157553 | 56  |
| 5   | Screw       | Schraube        | 6-k Skruv dg     | Kuusioruuvi          | (DIN 931) Elho 12.9 M16X90 ZN | 130536 | 28  |



115631.dwg

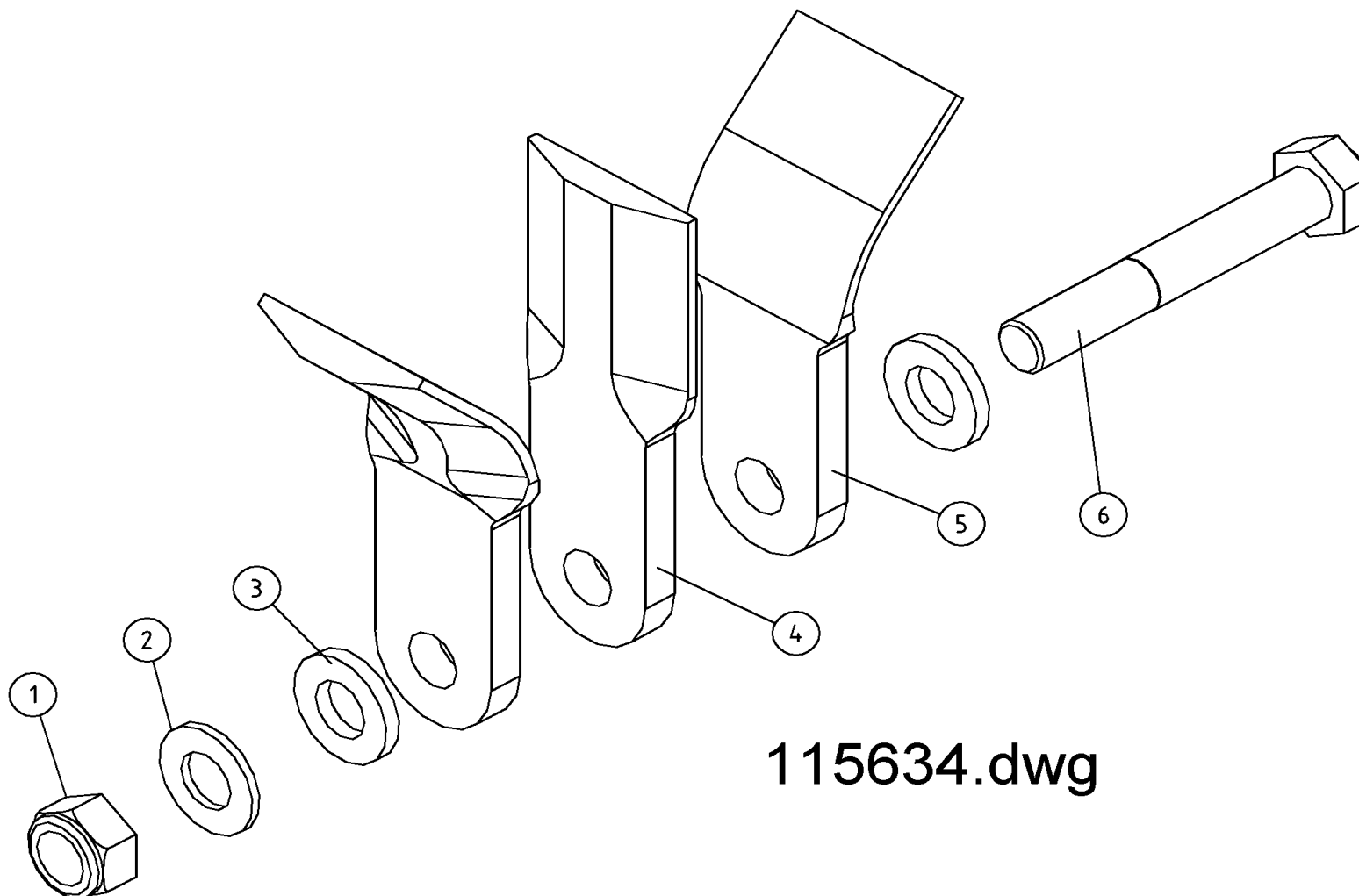
| Pos | Name        | Nahme           | Benämning        | Nimike               | Kvalitet                      | NO     | Pcs |
|-----|-------------|-----------------|------------------|----------------------|-------------------------------|--------|-----|
|     | Y-blade kit | Y-messer serien | Y-bett serie     | Y-terä sarja         |                               | 115632 |     |
| 1   | Nut         | Muttern         | Metall låsmutter | Metalli lukkomutteri | DIN 980 V M16 ZN              | 131632 | 28  |
| 2   | Washer      | Scheibe         | Bricka           | Aluslaatta           | DIN 125A M16/17 ZN            | 131810 | 28  |
| 3   | Distance    | Zwischenhülse   | Distanshylsa     | Väliholkki           | Ø17/30x10                     | 503982 | 28  |
| 4   | Y-blade     | Messer          | Y-bett           | Y-terä               | 40x10 L=145                   | 157552 | 84  |
| 5   | Screw       | Schraube        | 6-k Skruv dg     | Kuusioruuvi          | (DIN 931) Elho 12.9 M16X90 ZN | 130536 | 28  |



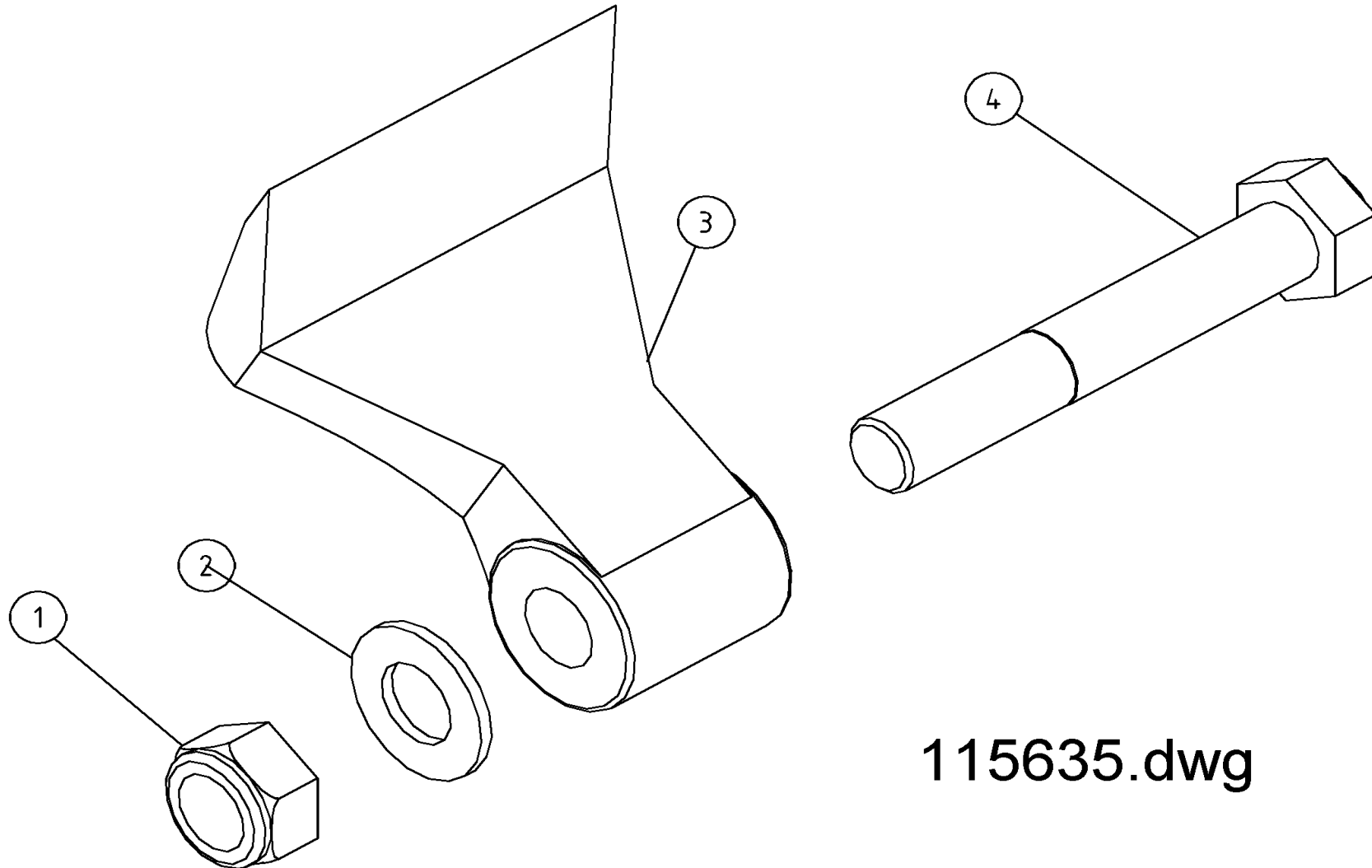
115632.dwg



| Pos | Name         | Nahme            | Benämning        | Nimike               | Kvalitet                      | NO     | Pcs |
|-----|--------------|------------------|------------------|----------------------|-------------------------------|--------|-----|
|     | YI-blade kit | YI-messer serien | YI-bett serie    | YI-terä sarja        |                               | 115634 |     |
| 1   | Nut          | Muttern          | Metall låsmutter | Metalli lukkomutteri | DIN 980 V M16 ZN              | 131632 | 28  |
| 2   | Washer       | Scheibe          | Bricka           | Aluslaatta           | DIN 125A M16/17 ZN            | 131810 | 28  |
| 3   | Washer HT    | Scheibe HV       | Bricka HV        | Aluslevy HV          | DIN 6916 10 M16/17            | 131971 | 56  |
| 4   | I-blade      | Messer           | I-bett           | I-terä               | 40x10 L=145                   | 157551 | 28  |
| 5   | Y-blade      | Messer           | Y-bett           | Y-terä               | 40x10 L=145                   | 157552 | 56  |
| 6   | Screw        | Schraube         | 6-k Skruv dg     | Kuusioruuvi          | (DIN 931) Elho 12.9 M16X90 ZN | 130536 | 28  |

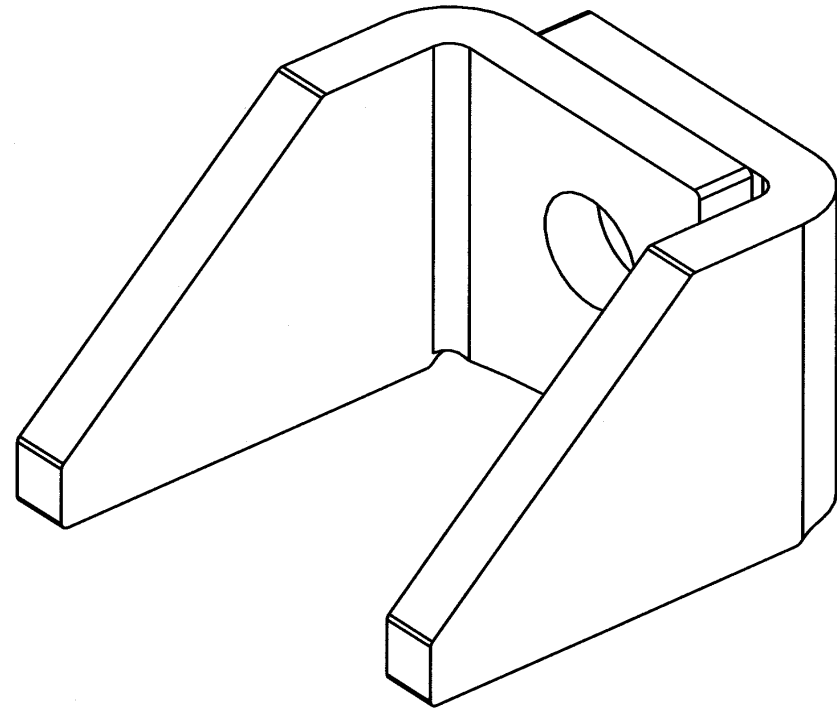
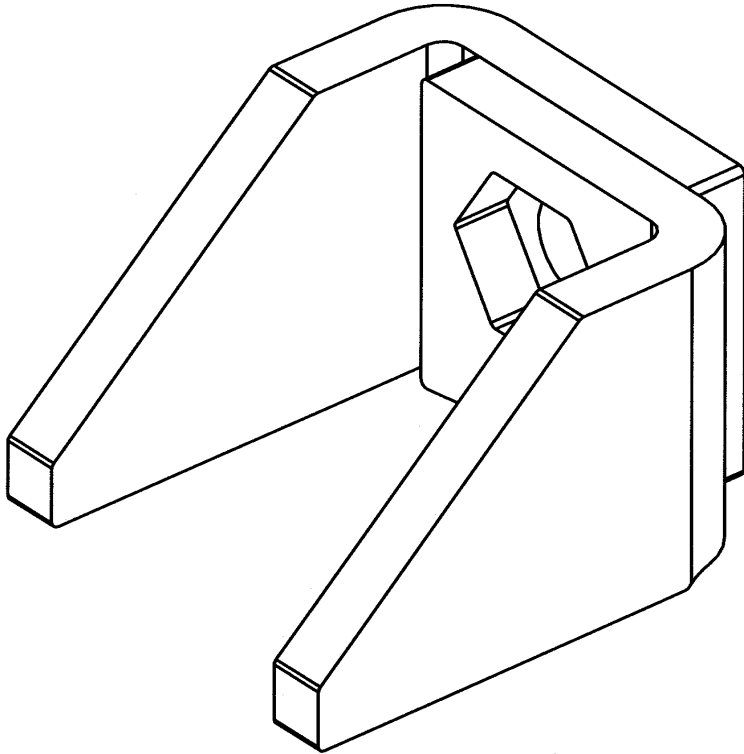


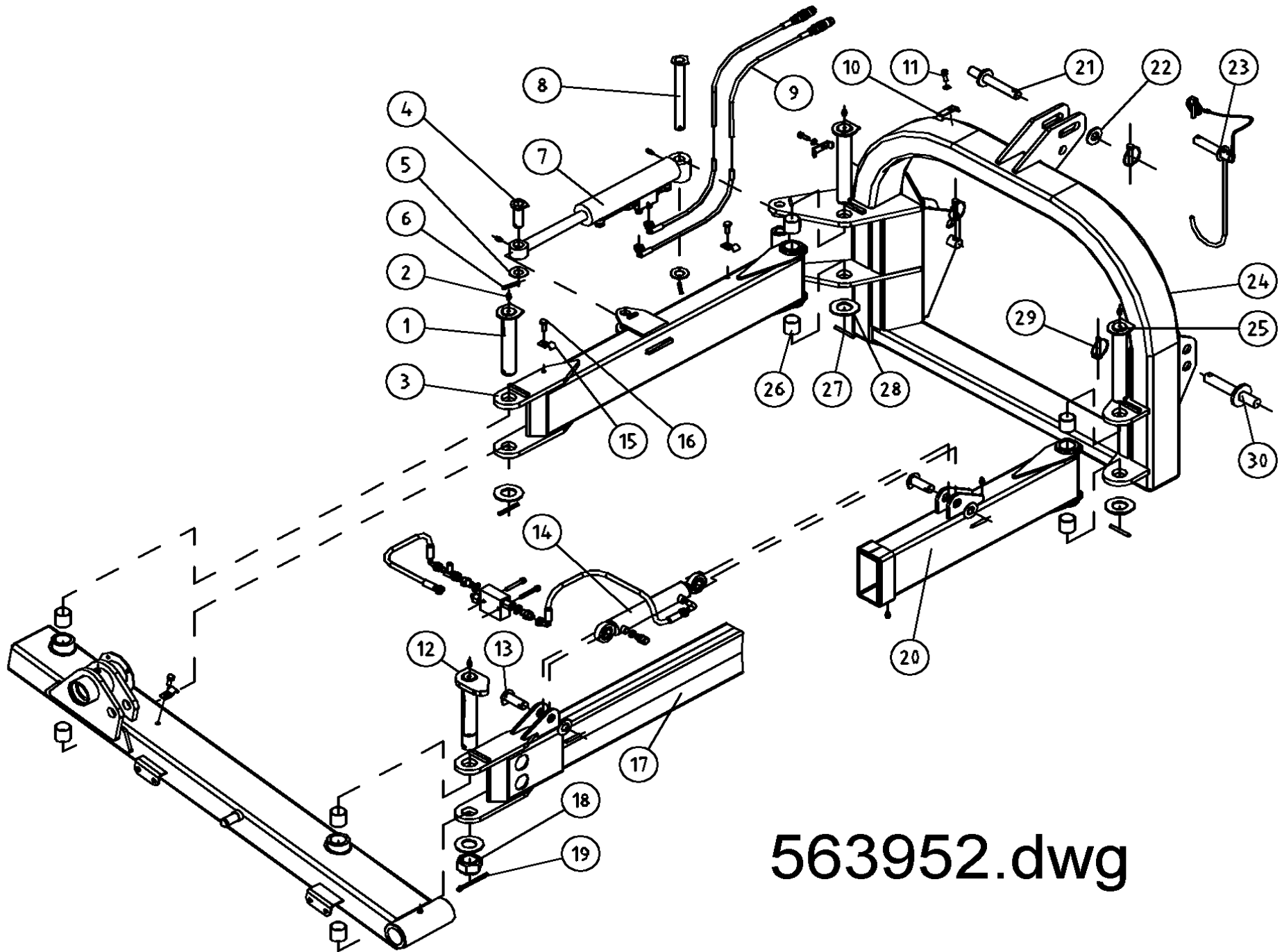
| Pos | Name       | Nahme         | Benämning        | Nimike               | Kvalitet                      | NO     | Pcs |
|-----|------------|---------------|------------------|----------------------|-------------------------------|--------|-----|
|     | Hammer Kit | Messer Serien | Hackbets serie   | Heiluriterä sarja    |                               | 115635 |     |
| 1   | Nut        | Muttern       | Metall låsmutter | Metalli lukkomutteri | DIN 980 V M16 ZN              | 131632 | 28  |
| 2   | Washer     | Scheibe       | Bricka           | Aluslaatta           | DIN 125A M16/17 ZN            | 131810 | 28  |
| 3   | Hammer     | Messer        | Hackbett         | Heiluriterä          | R-100 Ø16 W 40/85             | 157555 | 28  |
| 4   | Screw      | Schraube      | 6-k Skruv dg     | Kuusioruuvi          | (DIN 931) Elho 12.9 M16X90 ZN | 130536 | 28  |



115635.dwg

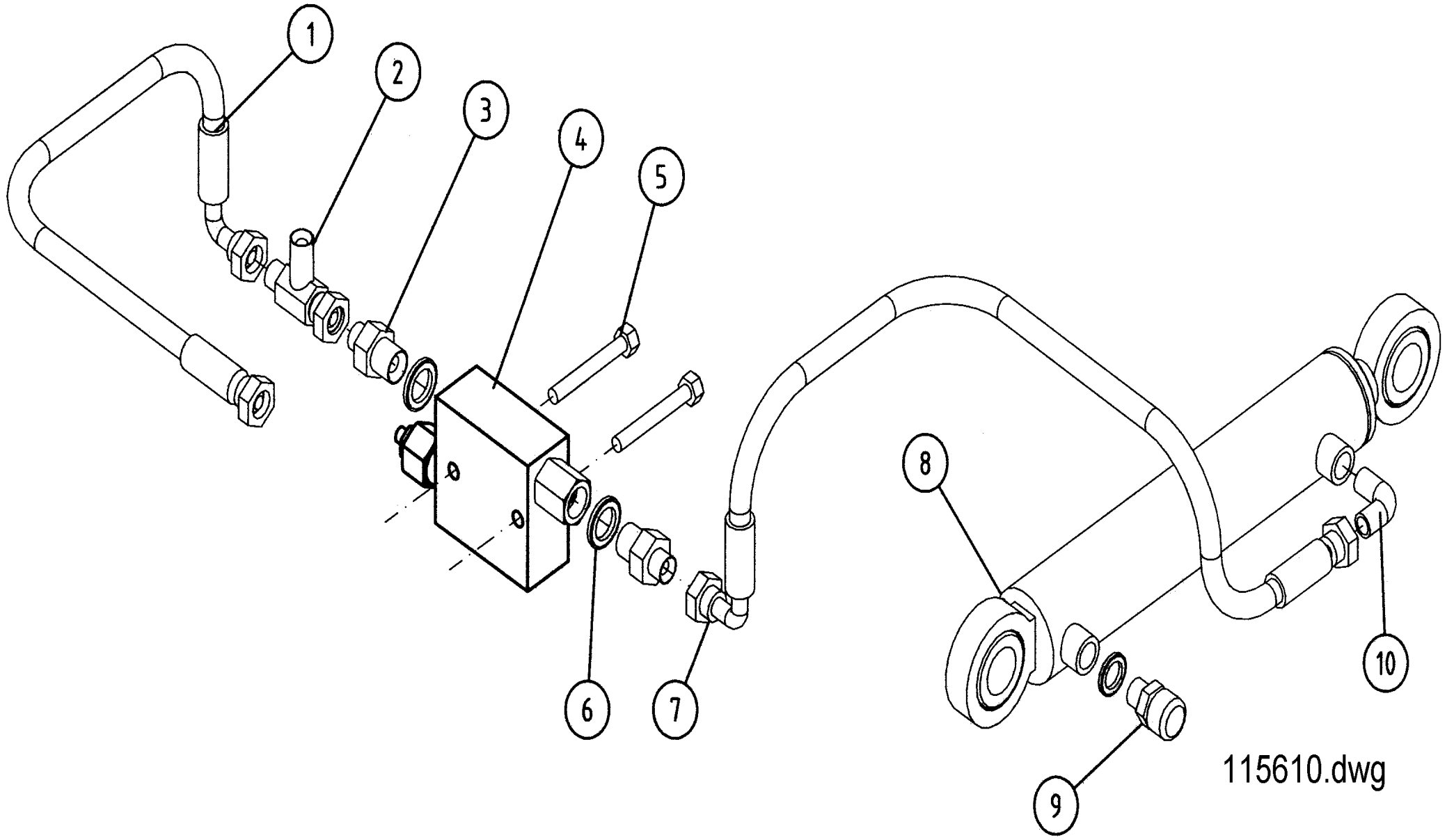
| Pos | Name          | Nahme              | Benämning | Nimike        | NO     | Pcs |
|-----|---------------|--------------------|-----------|---------------|--------|-----|
| 1   | Knife bracket | Messer Befestigung | Knivfäste | Teränkiinnike | 115630 | 28  |





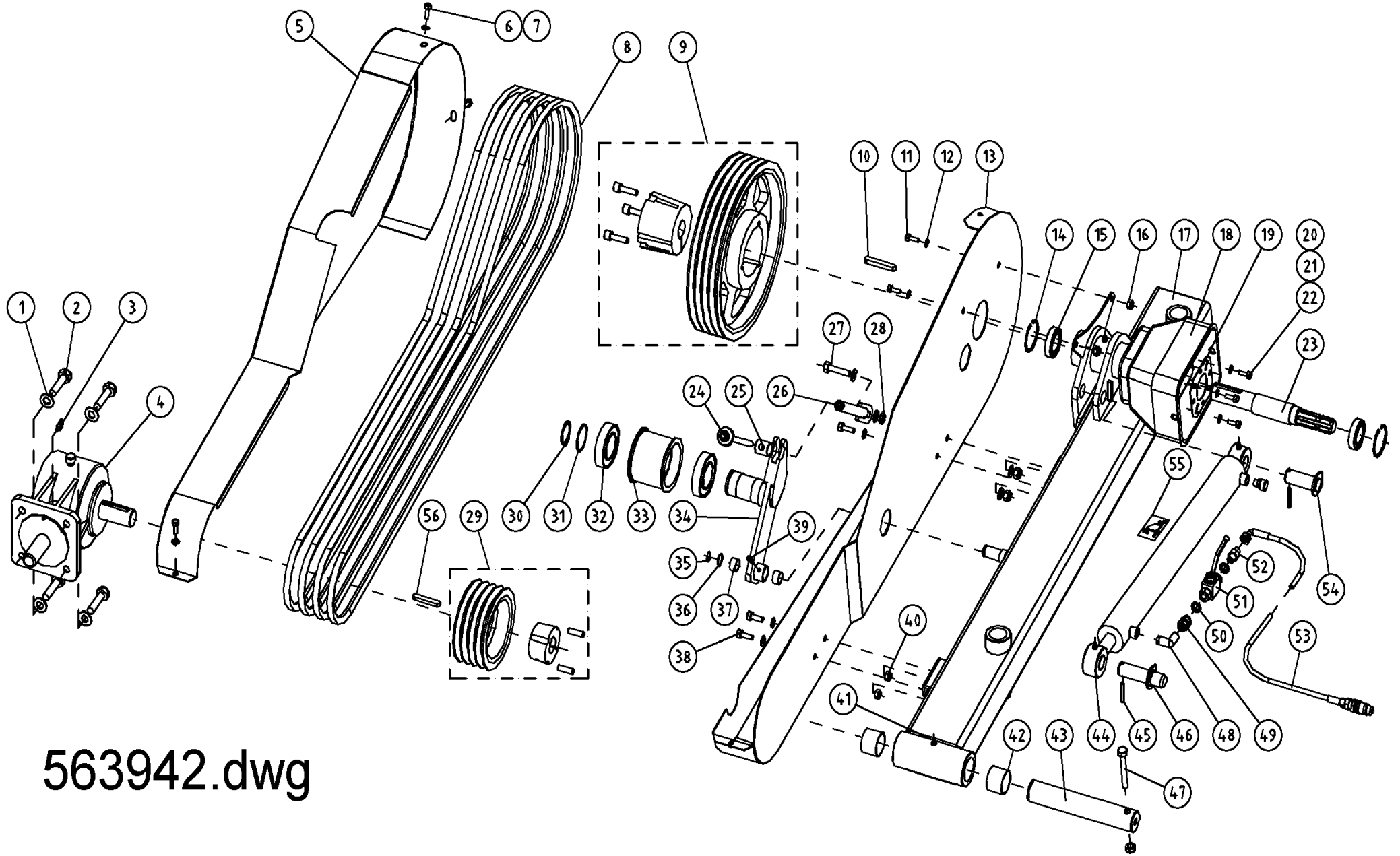
563952.dwg

| Pos | Name                   | Nahme                          | Benämning                  | Nimike                    |                       | NO     | Pcs |
|-----|------------------------|--------------------------------|----------------------------|---------------------------|-----------------------|--------|-----|
| 1   | Linkarm pin 2          | Gelenkarm zapfen 2             | Ledtapp 2                  | Tukivarrentappi 2         | Typ D1 Ø40 L=200 zn   | 563570 | 1   |
| 2   | Grease nipple          | Smiernippel                    | Smörjnippa                 | Voitelunippa              | M6x1                  | 140950 | 8   |
| 3   | Linkarm Left           | Gelenkarm Links                | Ledbalk vänster            | Tukivarsi vasen           | VM 240                | 564670 | 1   |
| 4   | Cylinder pin           | Zylinder zapfen                | Cylindertapp främre        | Sylinteritappi            | Typ D1 Ø25 L=67 zn    | 579659 | 1   |
| 5   | Washer                 | Scheibe                        | Bricka                     | Aluslaatta                | DIN 125A M25 ZN       | 131865 | 3   |
| 6   | Spring pin             | Spannhülsen                    | Rörsprint                  | Jousisokka                | DIN 1481 8x50 ZN      | 132828 | 3   |
| 7   | Cylinder               | Zylinder                       | Hydraulcylinder            | Hydraulisylinteri         |                       | 563965 | 1   |
| 8   | Cylinder pin           | Zylinder zapfen                | Cylindertapp               | Sylinteritappi            | Typ D1 Ø25 L=231 zn   | 563573 | 1   |
| 9   | Hydraulic hose         | Hydraulik slauch               | Hydraulslang               | Hydrauliletku             | 1/4" 90 °-1/4" L=2600 | 145015 | 2   |
| 10  | Hose clamp             | Schlauch befestigung           | Slanghållare               | Letkunpidike              | 2 x 3/8" + 1 x 1/4"   | 800221 | 2   |
| 11  | Screw                  | Schraube                       | 6-k Skruv dg               | Kuusioruuvi               | DIN 931 8.8 M10X50 ZN | 130110 | 2   |
| 12  | Lock pin               | Stopfen zapfen                 | Låstapp                    | Lukitus tappi             | Typ D1 Ø40 L=233 zn   | 563591 | 1   |
| 13  | Cylinder pin           | Zylinder zapfen                | Cylindertapp               | Sylinteritappi            | Typ D1 Ø25 L=57 zn    | 563577 | 2   |
| 14  | Hydraulic safetydevice | Hydraulischer anfahrtsicherung | Hydraulisk påkörningsskydd | Hydraulinen laukaisulaite |                       | 115610 | 1   |
| 15  | Hose clamp             | Schlauch befestigung           | Slanghållare               | Letkunpidike              |                       | 805451 | 3   |
| 16  | Screw                  | Schraube                       | 6-k Skruv hg               | Kuusioruuvi               | DIN 933 8.8 M10X25 ZN | 130860 | 3   |
| 17  | Linkarm Right          | Gelenkarm Rechts               | Ledbalk höger              | Tukivarsi oikea           |                       | 563690 | 1   |
| 18  | Krown nut              | Kronenmuttern                  | Kronmutter                 | Kruunumutteri             | DIN 935 M39x3         | 133209 | 1   |
| 19  | Split pin              | Splinten                       | Saxsprint                  | Saksisokka                | DIN 94 6.3x71 ZN      | 133650 | 1   |
| 20  | Linkarm Right          | Gelenkarm Rechts               | Ledbalk höger              | Tukivarsi oikea           | VM 240                | 564680 | 1   |
| 21  | Top link pin           | Oberlenker bolzen              | Tryckstångstapp            | Työntötangontappi         |                       | 563598 | 1   |
| 22  | Washer                 | Scheibe                        | Mellanbricka               | Laatta                    | Ø 54/25,5x6           | 529144 | 1   |
| 23  | Drive shaft bracket    | Gelenkwellen halter            | Drivaxel hållare           | Vetoakselin tuki          |                       | 875898 | 1   |
| 24  | Frame                  | Rahmen                         | 3P-ram                     | 3-piste runko             | Släntslättermaskin    | 563600 | 1   |
| 25  | Linkarm pin 1          | Gelenkarm zapfen 1             | Ledtapp 1                  | Tukivarrentappi 1         | Typ D1 Ø40 L=243 zn   | 563550 | 2   |
| 26  | Plain bearing          | Gleitlager                     | Glidlager                  | Liukulaakeri              | Ø 40/44 L=40          | 140040 | 8   |
| 27  | Spring pin             | Spannhülsen                    | Rörsprint                  | Jousisokka                | DIN 1481 10X60 ZN     | 132870 | 3   |
| 28  | Washer                 | Scheibe                        | Bricka                     | Aluslaatta                | D=71/42               | 500323 | 4   |
| 29  | Linch pin              | Klappstecker                   | Ringsprint                 | Rengassokka               | DIN 11023 10 mm       | 133366 | 2   |
| 30  | Mounting pin           | Gerätebolzen                   | Lyftarmstapp               | Nostovarrentappi          |                       | 563595 | 2   |



115610.dwg

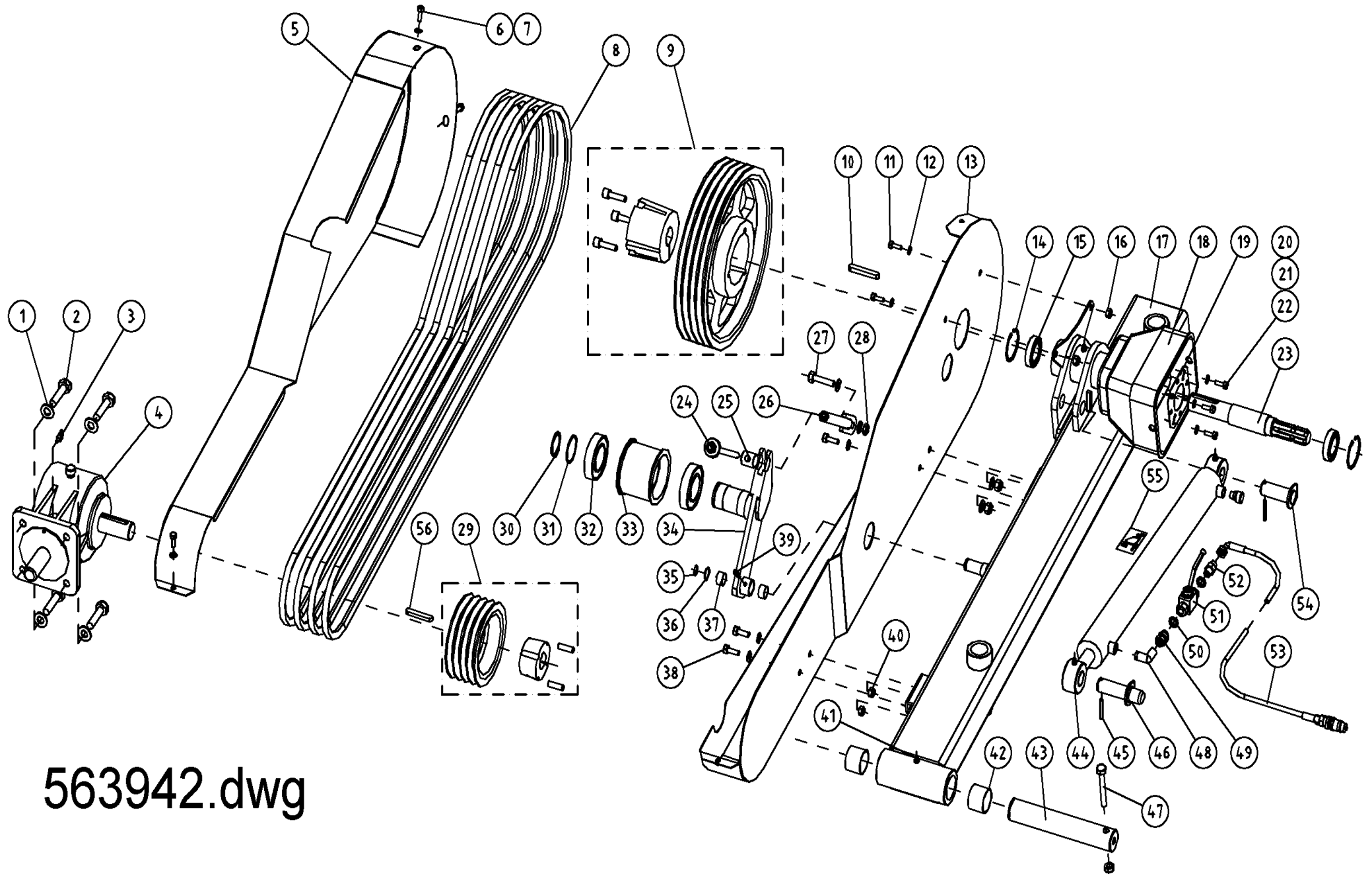
| Pos | Name                      | Nahme            | Benämning      | Nimike            |                           | NO     | Pcs |
|-----|---------------------------|------------------|----------------|-------------------|---------------------------|--------|-----|
| 1   | Hydraulic hose            | Hydraulik slauch | Hydraulslang   | Hydrauliletku     | 1/4" 90°-1/4" L= 440      | 821000 | 1   |
| 2   | "T" Adaptor               | T-Verschraubung  | T-junktur 1/4" | T-liitin          | 04880-04                  | 143284 | 1   |
| 3   | Double nipple             | Doppelnippel     | Dubbelnippa    | Supistusnippa     | 1/4"-3/8" 04000-04-06     | 143122 | 2   |
| 4   | Sequence valve            |                  | Sekvensventil  | Kuormausventtiili | VSQ-30 052107030210       | 808446 | 1   |
| 5   | Screw                     | Schraube         | 6-k Skruv dg   | Kuusioruuvi       | DIN 931 8.8 M 8X60 ZN     | 130030 | 2   |
| 6   | Bonded gasket             | Dichtung         | USIT-tätning   | USIT-tiiviste     | 3/8" USITR-06             | 146003 | 2   |
| 7   | Hydraulic hose            | Hydraulik slauch | Hydraulslang   | Hydrauliletku     | 1/4" L=800 90° 1/4"- 1/4" | 145050 | 1   |
| 8   | Cylinder                  | Zylinder         | Ramcylinder    | Sylinter          | Ø40/25x170                | 146092 | 1   |
|     | Seal kit                  | Dichtungssätze   | Tätningsserie  | Tiivistesarja     | Ø40/25                    | 146093 |     |
| 9   | Air nipple                | Luft Nippeln     | Luftnippel     | Ilmanippa         |                           | 143317 | 1   |
| 10  | "L" Adaptor male threaded | Vinkel nippel    | Vinkel         | Kulmanippa        | 1/4" - 1/4" 04490-04      | 143180 | 1   |



563942.dwg



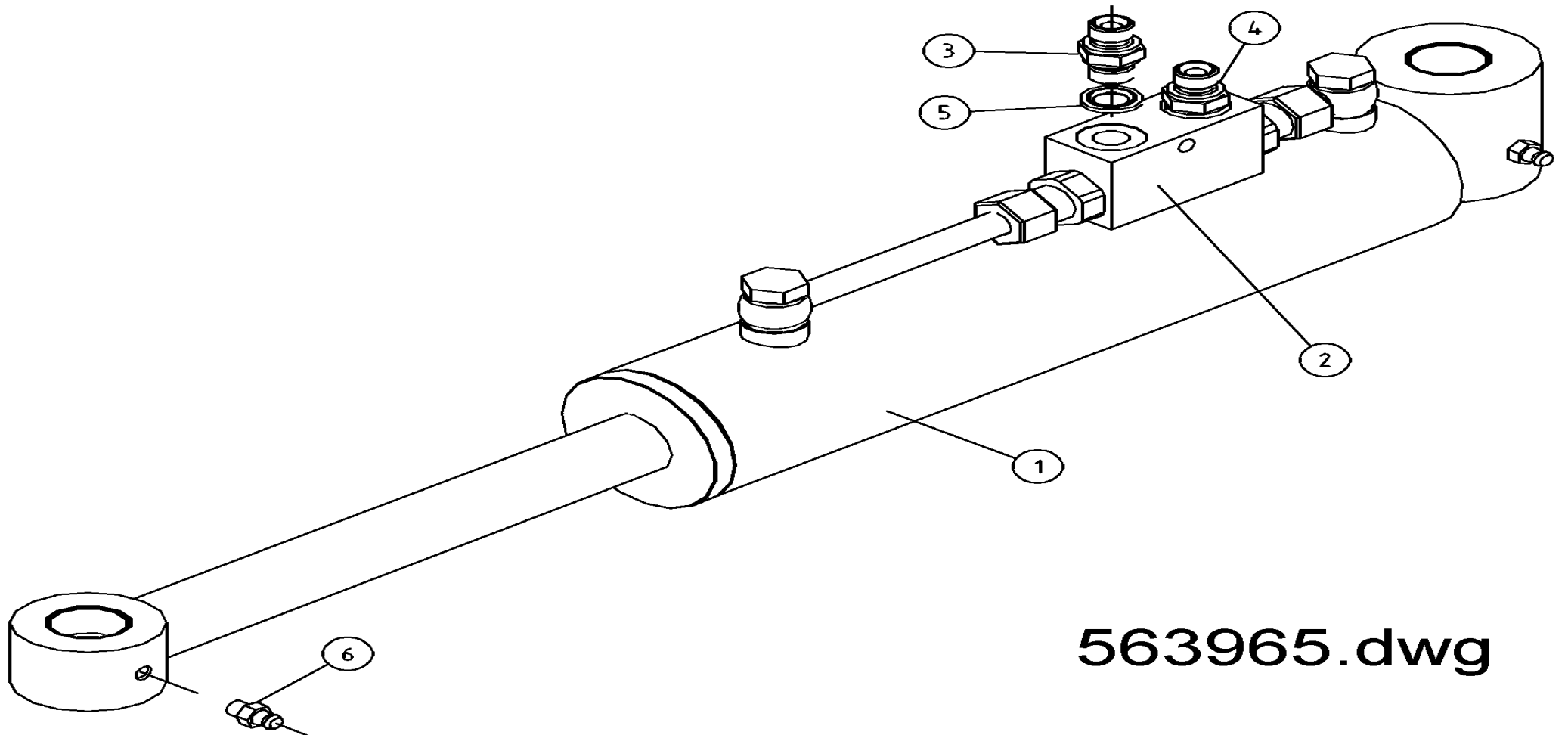
| Pos | Name               | Nahme                | Benämning           | Nimike            |                             | NO     | Pcs |
|-----|--------------------|----------------------|---------------------|-------------------|-----------------------------|--------|-----|
| 1   | Washer             | Scheibe              | Låsbricka           | Lukituslaatta     | NORD-LOCK M 16 ZNC          | 133465 | 4   |
| 2   | Screw              | Schraube             | 6-k Skruv dg        | Kuusioruuvi       | DIN 931 8.8 M16X65 ZN       | 130531 | 4   |
| 3   | Grease nipple      | Smiernippel          | Smörjnippa          | Voitelunippa      | M6x1; 45°                   | 140960 | 1   |
| 4   | Gear box           | Getriebe             | Vinkelväxel         | Kulmavaihde       | Side Shopper                | 563170 | 1   |
| 5   | Belt housing rear  | Reimenschutz H.      | Remskydd bakre      | Remmisuojaus taka |                             | 563735 | 1   |
| 6   | Screw              | Schraube             | 6-k Skruv hg        | Kuusioruuvi       | DIN 933 8.8 M10X25 ZN       | 130860 | 3   |
| 7   | Washer             | Scheibe              | Karosseribricka     | Korialuslevy      | DIN 9021 M10/10.5X30X2.5 ZN | 131930 | 3   |
| 8   | V-belt             | Keilriemen           | Kilrem              | Kiilahihna        | SPB 3350 LW (S=C plus)      | 563738 | 4   |
| 9   | Pulley             | Keilriemenscheibe    | Remskiva            | Hihnapyörä        | 4xSPB Ø400                  | 563740 | 1   |
| 10  | Spline             | Keile                | Flatkil             | Laattakiila       | DIN 6885 A 12X8X70          | 132980 | 1   |
| 11  | Screw              | Schraube             | 6-k Skruv hg        | Kuusioruuvi       | DIN 933 8.8 M10X30 ZN       | 130880 | 2   |
| 12  | Washer             | Scheibe              | Bricka              | Aluslaatta        | DIN 125A M10/10.5 ZN        | 131770 | 2   |
| 13  | Belt housing front | Reimenschutz V.      | Remskydd främre     | Remmisuojaus etu  |                             | 563730 | 1   |
| 14  | Seeger ring        | Sicherüingring       | Låsring för hål     | Varmistinrengas   | DIN 472 68X2.5              | 132159 | 2   |
| 15  | Bearing            | Lager                | Kullager            | Laakeri           | 6008 RS                     | 140143 | 2   |
| 16  | Nut                | Muttern              | Låsmutter           | Lukitusmutteri    | DIN 985-8 M10 ZN            | 131580 | 2   |
| 17  | Frame              | Rahmen               | Rambalk             | Runkopalkki       |                             | 563500 | 1   |
| 18  | Protection         | Schutz               | Skydd               | Suoja             |                             | 404545 | 1   |
| 19  | Mounting washer    | Befestigung scheinbe | Monteringsbricka    | Asennuslaatta     |                             | 456191 | 1   |
| 20  | Screw              | Schraube             | 6-k Skruv hg        | Kuusioruuvi       | DIN 933 8.8 M8X20 ZN        | 130720 | 4   |
| 21  | Washer             | Scheibe              | Bricka              | Aluslaatta        | DIN 125A M8/8.4 ZN          | 131750 | 4   |
| 22  | Nut                | Muttern              | Låsmutter           | Lukitusmutteri    | DIN 985-8 M8 ZN             | 131570 | 4   |
| 23  | Shaft              | Welle                | Axel                | Akseli            |                             | 563515 | 1   |
| 24  | Tension screw      | Spannschraube        | Spännskruv          | Kiristysruuvi     |                             | 563717 | 1   |
| 25  | Mounting pin       | Welle                | Ledaxel remspännare | Akseliholkki      |                             | 563714 | 1   |
| 26  | Tension pipe       | Spann rohr           | Spänn rör           | Kiristy putki     |                             | 563716 | 1   |
| 27  | Screw              | Schraube             | 6-k Skruv dg        | Kuusioruuvi       | DIN 931 8.8 M12X50 ZN       | 130330 | 1   |



563942.dwg

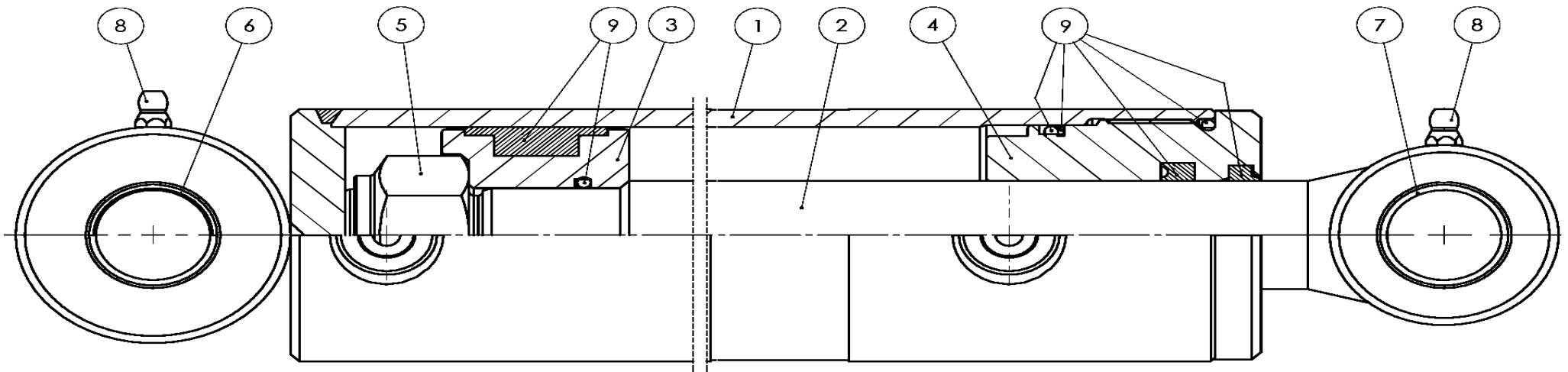
| Pos | Name                      | Nahme             | Benämning          | Nimike          |                             | NO     | Pcs |
|-----|---------------------------|-------------------|--------------------|-----------------|-----------------------------|--------|-----|
| 28  | Nut                       | Muttern           | Mutter låg         | Kuusiomutteri   | DIN 936-17H ZN M12          | 131660 | 1   |
| 29  | Pulley                    | Keilriemenscheibe | Remskiva           | Hihnapyörä      | 4xSPB Ø180                  | 563748 | 1   |
| 30  | Seeger ring               | Sicherüngring     | Låsring för axel   | Varmistinrengas | DIN 471 55X2                | 132140 | 1   |
| 31  | Shims                     | Ausgleichscheibe  | Passbricka         | Sovitelaatta    | DIN 988 55X68X0.5           | 132420 | 1   |
| 32  | Bearing                   | Lager             | Kullager           | Laakeri         | 6211 2RS                    | 140295 | 2   |
| 33  | Tension wheel             | Spannrad          | Remspännarhjul     | Kiristyspyörä   | Ø 115                       | 520415 | 1   |
| 34  | Shaft                     | Welle             | Spännararm         | Kiristysvarsi   |                             | 563700 | 1   |
| 35  | Seeger ring               | Sicherüngring     | Låsring för axel   | Varmistinrengas | DIN 471 25X1,2              | 132070 | 1   |
| 36  | Shims                     | Ausgleichscheibe  | Passbricka         | Sovitelaatta    | DIN 988 25X35X2             | 132280 | 1   |
| 37  | Plain bearing             | Gleitlager        | Glidlager          | Liukulaakeri    | Ø 25/28 L=15                | 140050 | 2   |
| 38  | Screw                     | Schraube          | 6-k Skruv hg       | Kuusioruuvi     | DIN 933 8.8 M12X30 ZNC      | 130971 | 3   |
| 39  | Grease nipple             | Smiernippel       | Smörjnippa         | Voitelunippa    | M6x1 lang                   | 140951 | 1   |
| 40  | Nut                       | Muttern           | Låsmutter          | Lukitusmutteri  | DIN 985-8 M12 ZN            | 131600 | 5   |
| 41  | Grease nipple             | Smiernippel       | Smörjnippa         | Voitelunippa    | M6x1                        | 140950 | 2   |
| 42  | Plain bearing             | Gleitlager        | Glidlager          | Liukulaakeri    | Ø 50/55L=40                 | 140068 | 2   |
| 43  | Linkpin                   | Zapfen            | Ledaxel            | Niveltappi      |                             | 563580 | 1   |
| 44  | Lift cylinder             | Hebezyylinder     | Lyftcylinder       | Nostosylinteri  | Ø 60/30x553 L=790-1343      | 146156 | 1   |
| 45  | Spring pin                | Spannhülsen       | Rörsprint          | Jousisokka      | DIN 1481 6X50 ZN            | 132824 | 2   |
| 46  | Cylinder pin              | Zylinder zapfen   | Cylinderlástapp    | Sylinteritappi  | Typ D1 Ø30 L=76 zn          | 563585 | 1   |
| 47  | Screw                     | Schraube          | 6-k Skruv dg       | Kuusioruuvi     | DIN 931 8.8 M12X100 ZN      | 130390 | 1   |
| 48  | "L" Adaptor male threaded | Vinkel nippel     | Vinkel             | Kulmanippa      | 3/8" - 3/8" 04490-06        | 143182 | 1   |
| 49  | Male/Female Adaptor       | Anschluss         | Junktur            | Yhdysnippa      | 1/4" - 3/8" Rak 04010-04-06 | 143160 | 1   |
| 50  | Bonded gasket             | Dichtung          | USIT-tätning       | USIT-tiiviste   | 1/4" USITR-04               | 146002 | 2   |
| 51  | Ball valve                | Kugelhahn         | Bollventil         | Palloventtiili  | 1/4"-1/4" BKH-04            | 144020 | 1   |
| 52  | Restriktor nipple         | Drossel nipple    | Strypningsnippa    | Kuristusnippa   | 1/4"-1/4" Ø 1.5 mm          | 143138 | 1   |
| 53  | Hydraulic hose            | Hydraulik slauch  | Hydraulslang       | Hydrauliletku   | 1/4" -1/4"-1/2"hane L=4500  | 145234 | 1   |
| 54  | Cylinder pin              | Zylinder zapfen   | Cylindertapp       | Sylinteritappi  | Typ D1 Ø30 L=76 zn          | 563575 | 1   |
| 55  | Sticker                   | Aufkleber         | Dekal för bollkran | Tarra           |                             | 149101 | 1   |
| 56  | Spline                    | Keile             | Flatkil            | Laattakiila     | DIN 6885 A 10X8X60          | 132968 | 1   |

| Pos | Name              | Nahme             | Benämning      | Nimike            | Kvalitet             | NO     | Pcs |
|-----|-------------------|-------------------|----------------|-------------------|----------------------|--------|-----|
| 1   | Cylinder          | Zylinder          | Cylinder       | Hydraulisylinteri | Ø60/30x200 L=404-604 | 146088 | 1   |
| 2   | Lockvalve         | Verschluss Ventil | Låsventil      | Lukko ventili     | VRDE-01-AFF          | 144493 | 1   |
| 3   | Restriktor nipple | Drossel nipple    | Strypningsnipa | Kuristusnipa      | 1/4"-1/4" Ø 1.5 mm   | 143138 | 1   |
| 4   | Double nipple     | Doppelnippel      | Dubbelnipa     | Kaksoisnipa       | 1/4"-1/4" 04000-04   | 143102 | 1   |
| 5   | Bonded gasket     | Dichtung          | USIT-tätning   | USIT-tiiviste     | 1/4" USITR-04        | 146002 | 2   |
| 6   | Grease nipple     | Smiernippel       | Smörjnippa     | Voitelunippa      | M6x1                 | 140950 | 2   |



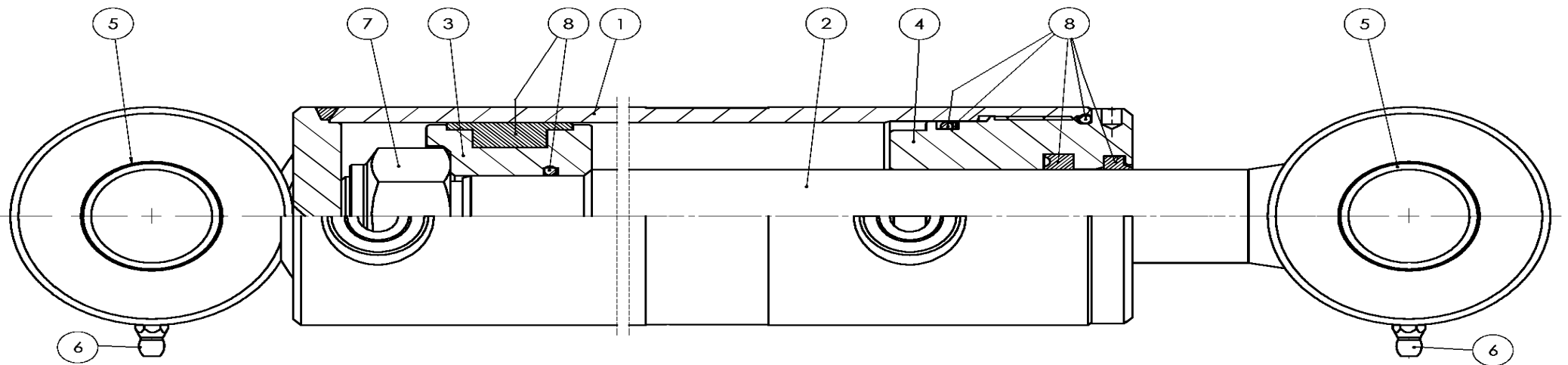
563965.dwg

| Pos | Name          | Nahme          | Benämning          | Nimike            | Kvalitet             | NO     | Pcs |
|-----|---------------|----------------|--------------------|-------------------|----------------------|--------|-----|
|     | Cylinder      | Zylinder       | Cylinder           | Hydraulisylinteri | Ø60/30x200 L=404-604 | 146088 | 1   |
| 1   | Cylinder pipe | Zylinder rohr  | Cylinder rör       | Sylinteriputki    | 42255-10             |        | 1   |
| 2   | Piston rod    | Kolbenstange   | Kolvstång          | Sylinterivarsi    | 42255-50             |        | 1   |
| 3   | Piston        | Kolben         | Kolv               | Mäntä             | C060070              |        | 1   |
| 4   | Guider        | Führung        | Kolvstångsstyrning | Ohjari            | C060080              |        | 1   |
| 5   | Nut           | Mutter         | Mutter             | Mutteri           | UNF 1" DIN 982       |        | 1   |
| 6   | Plain bearing | Gleitlager     | Glidlager          | Liukulaakeri      | Ø 25/28 L=20         | 140051 | 2   |
| 7   | Plain bearing | Gleitlager     | Glidlager          | Liukulaakeri      | Ø 25/28 L=15         | 140050 | 2   |
| 8   | Grease nipple | Smiernippel    | Smörjnippa         | Voitelunippa      | M6x1                 | 140950 | 2   |
| 9   | Sealkit       | Dichtungssätze | Tätningsserie      | Tiivistesarja     | NH-40277-05 Ø60/30   | 146037 | 1   |



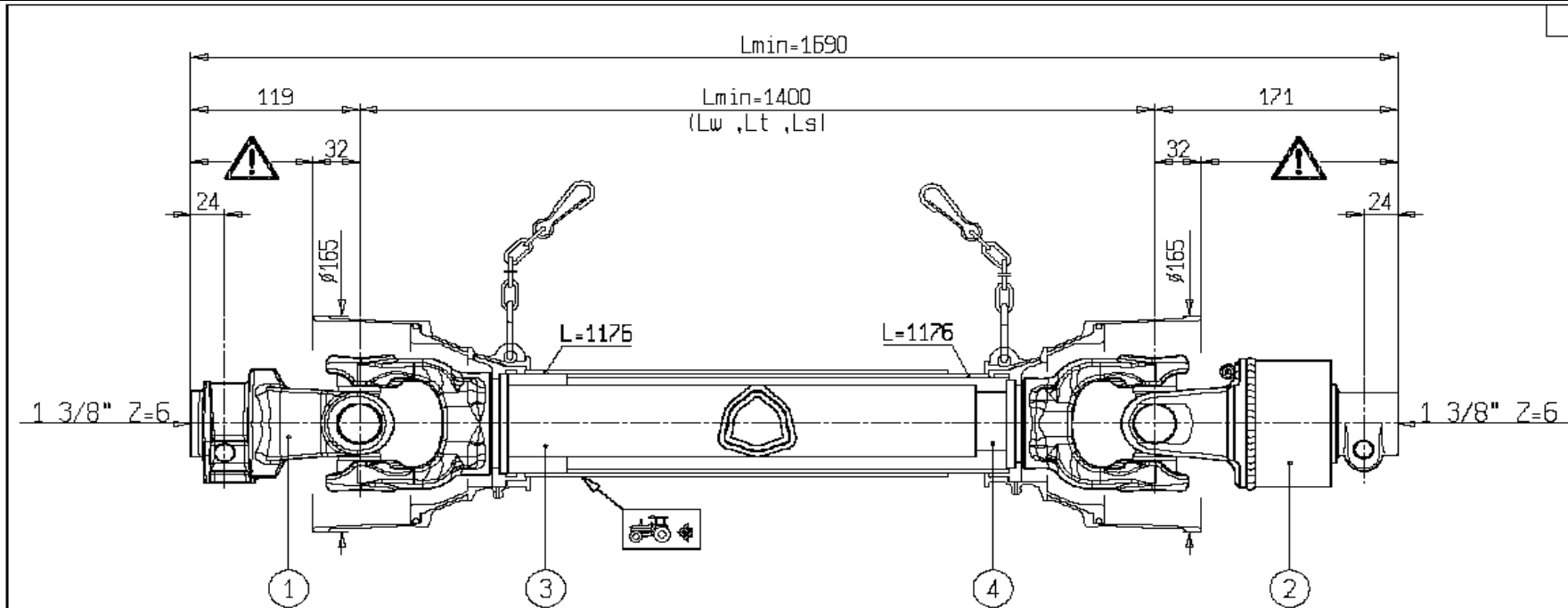
# 146088


| Pos | Name          | Nahme          | Benämning          | Nimike         | Kvalitet               | NO     | Pcs |
|-----|---------------|----------------|--------------------|----------------|------------------------|--------|-----|
|     | Lift cylinder | Hebezyylinder  | Lyftcylinder       | Nostosylinteri | Ø 60/30x553 L=790-1343 | 146156 | 1   |
| 1   | Cylinder pipe | Zylinder rohr  | Cylinder rör       | Sylinteriputki | 41591-10               |        | 1   |
| 2   | Piston rod    | Kolbenstange   | Kolvstång          | Sylinterivarsi | 41591-50               |        | 1   |
| 3   | Piston        | Kolben         | Kolv               | Mäntä          | C060070                |        | 1   |
| 4   | Guider        | Führung        | Kolvstångsstyrning | Ohjari         | C060080                |        | 1   |
| 5   | Plain bearing | Gleitlager     | Glidlager          | Liukulaakeri   | 3015 WB700             |        | 2   |
| 6   | Grease nipple | Smiernippel    | Smörjnippa         | Voitelunippa   | M6x1                   | 140950 | 2   |
| 7   | Nut           | Mutter         | Mutter             | Mutteri        | UNF 1" DIN 982         |        | 1   |
| 8   | Sealkit       | Dichtungssätze | Tätningsserie      | Tiivistesarja  | NH-40277-05 Ø60/30     | 146037 | 1   |

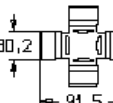
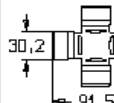





**146156**

| Pos       | Name         | Nahme    | Benämning   | Nimike |                 | NO     | Pcs |
|-----------|--------------|----------|-------------|--------|-----------------|--------|-----|
| PTO shaft | Gelenkwellen | Drivaxel | Nivelakseli |        | 8106140CE007001 | 152065 | 1   |

**WARNING!**

SECTIONS  OF THE ASSEMBLY MARKED ARE NOT SHIELDED AND MUST BE SHIELDED BY AN INTERACTIVE GUARDING SYSTEM. BONDIOLI & PAVESI DECLINES RESPONSIBILITY IF PROPER GUARDS ARE NOT PROVIDED OR MAINTAINED.

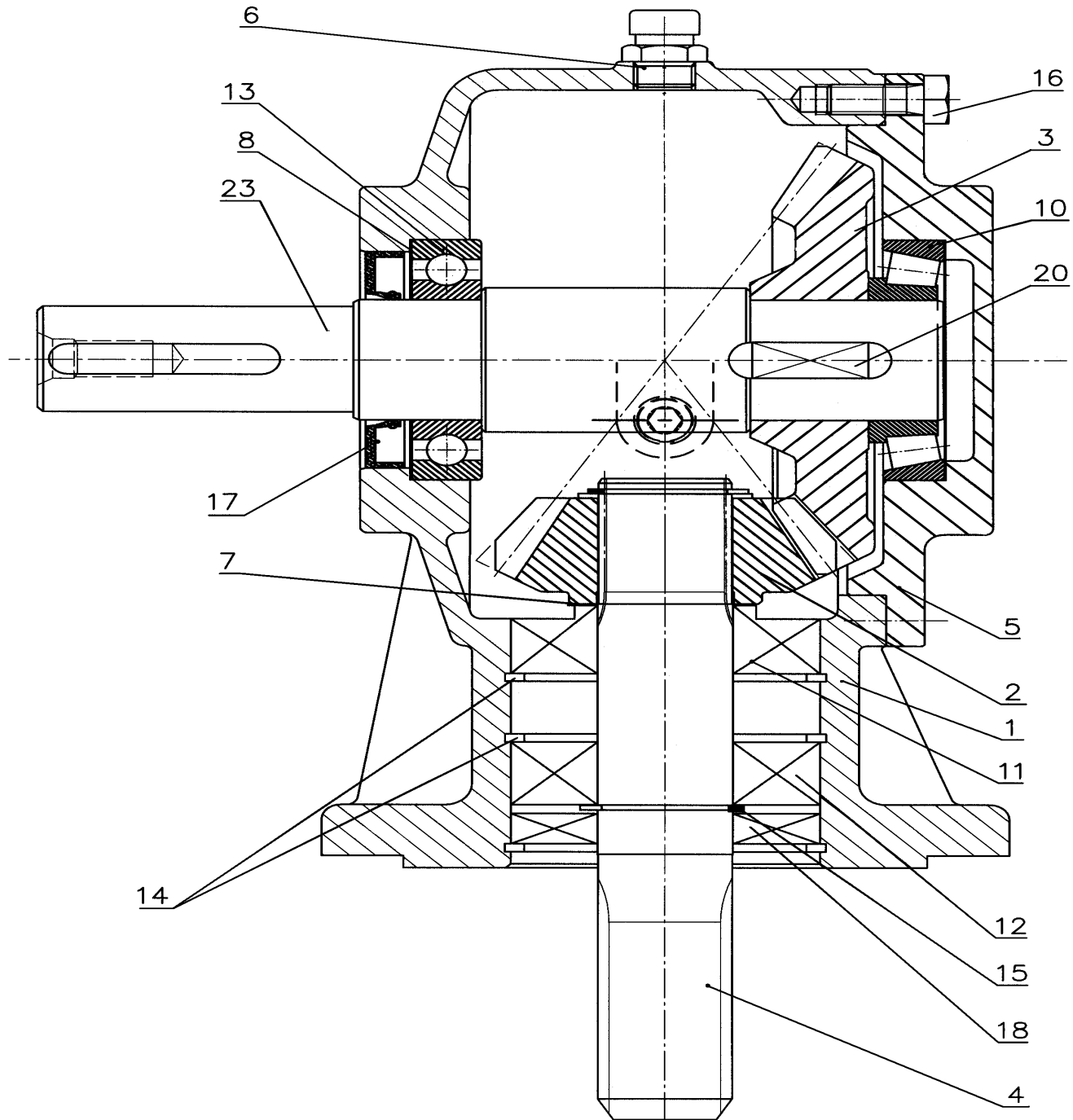
|   |  |   |   |  |  |  |   |
|---|--|---|---|--|--|--|---|
| 1 | CODICE CODE<br>007   | LATO TRATTORE TRACTOR SIDE  | LATO MACCHINA IMPLEMENT SIDE  | TIPO-TYPE<br>106-  | CLIENTE / CUSTOMER<br>3800550 ELHO             | RIF. CLIENTE / CUSTOMER REF.                   |   |
| 2 | CODICE CODE<br>ASO RAZ   |  |  | DATA / DATE<br>6/12/2005                                 | DISEGNATO / DESIGNED BY<br>R. Moretti          | TIPO DI MACCHINA / TYPE OF IMPLEMENT<br>UM 240 |   |
| 3 |  L=1235 | 30,2<br>91,5  | 30,2<br>91,5  | LUNGHEZZA MAX IN LAVORO MAX WORKING LENGTH<br>LW=1995    | STUDIO / DESIGN                                | ORIGINE / ORIGIN                               |  |
| 4 |  L=1235 | VELOCITA' MAX MAX SPEED<br>540 min <sup>-1</sup>                                    | M max<br>2900 Nm  | LUNGHEZZA MAX TEMPORANEA MAX TEMPORARY LENGTH<br>Lt=2193 | NOTE / NOTES<br>SPEC. x CONTROLLO ALLUNGAMENTO | CODICE / CODE<br>8106140CE007001               | REV.  |

ELHO do not distribute Bondioli & Pavesi parts. Please contact your local Bondioli & Pavesi distributor.

ELHO vermittelt nicht Bondioli & Pavesi Ersatzteile. Bitte wenden Sie sich an Ihre Bondioli & Pavesi Händler.

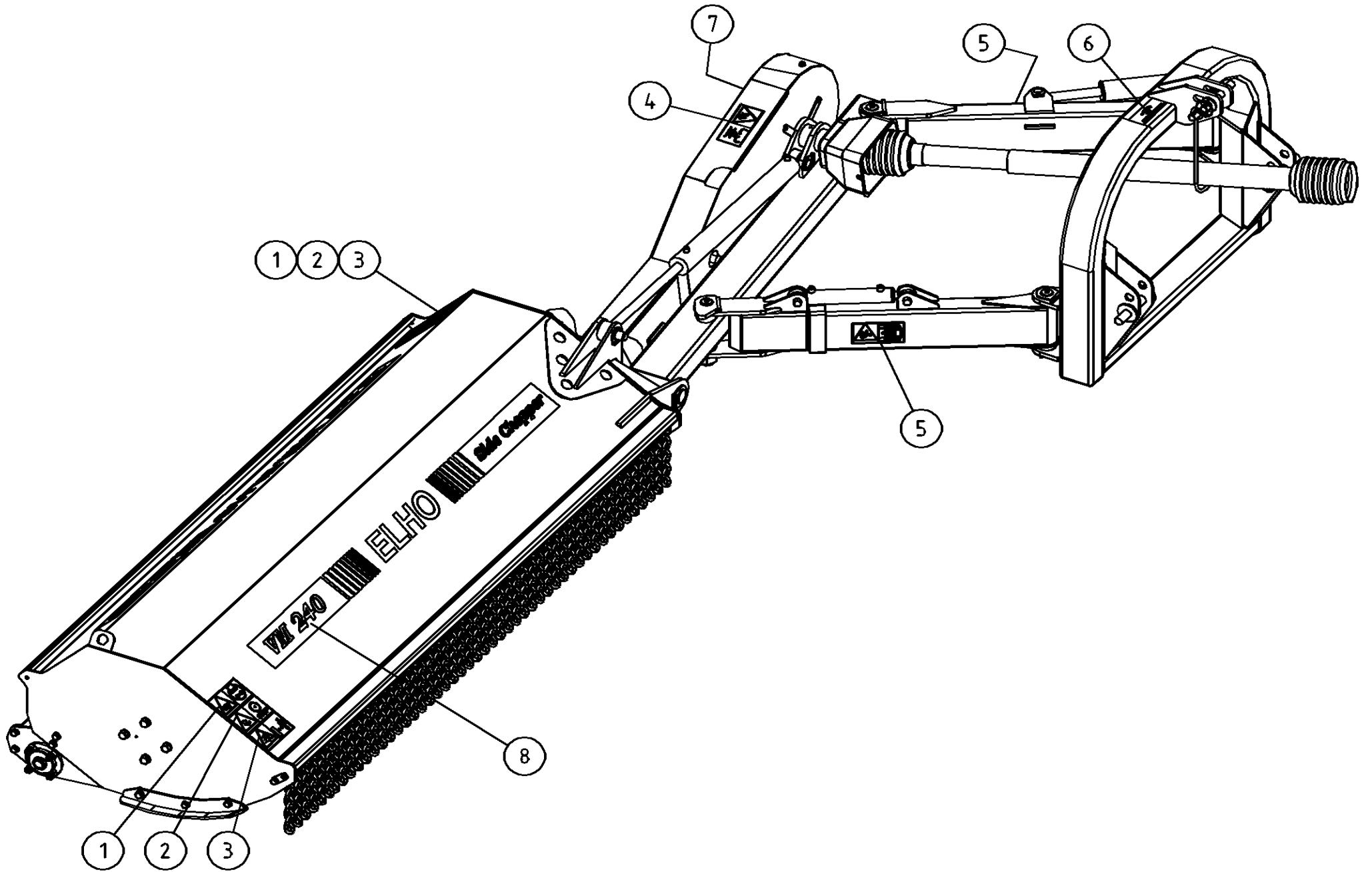
ELHO tillhandahåller ej Bondioli & Pavesi reservdelar. Vänligen kontakta er Bondioli & Pavesi importör.

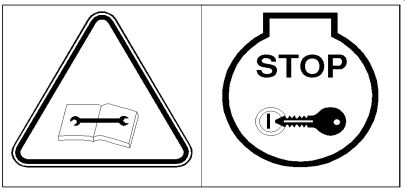
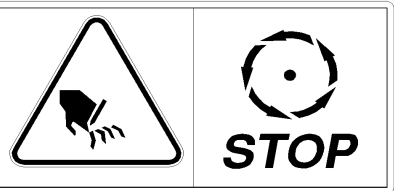
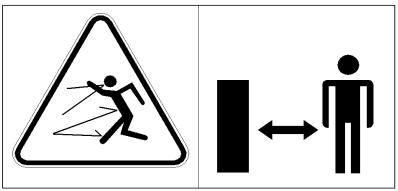
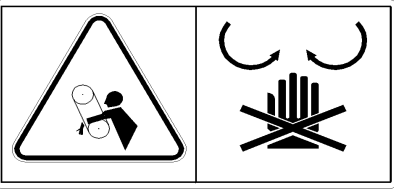
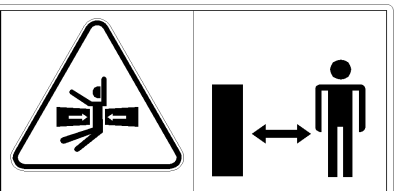




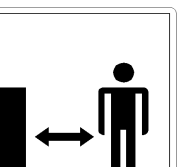

ELHO ej varastoi Bondioli & Pavesi varaosia. Bondioli & Pavesi varaosat hoitaa Suomessa Kojaltek.

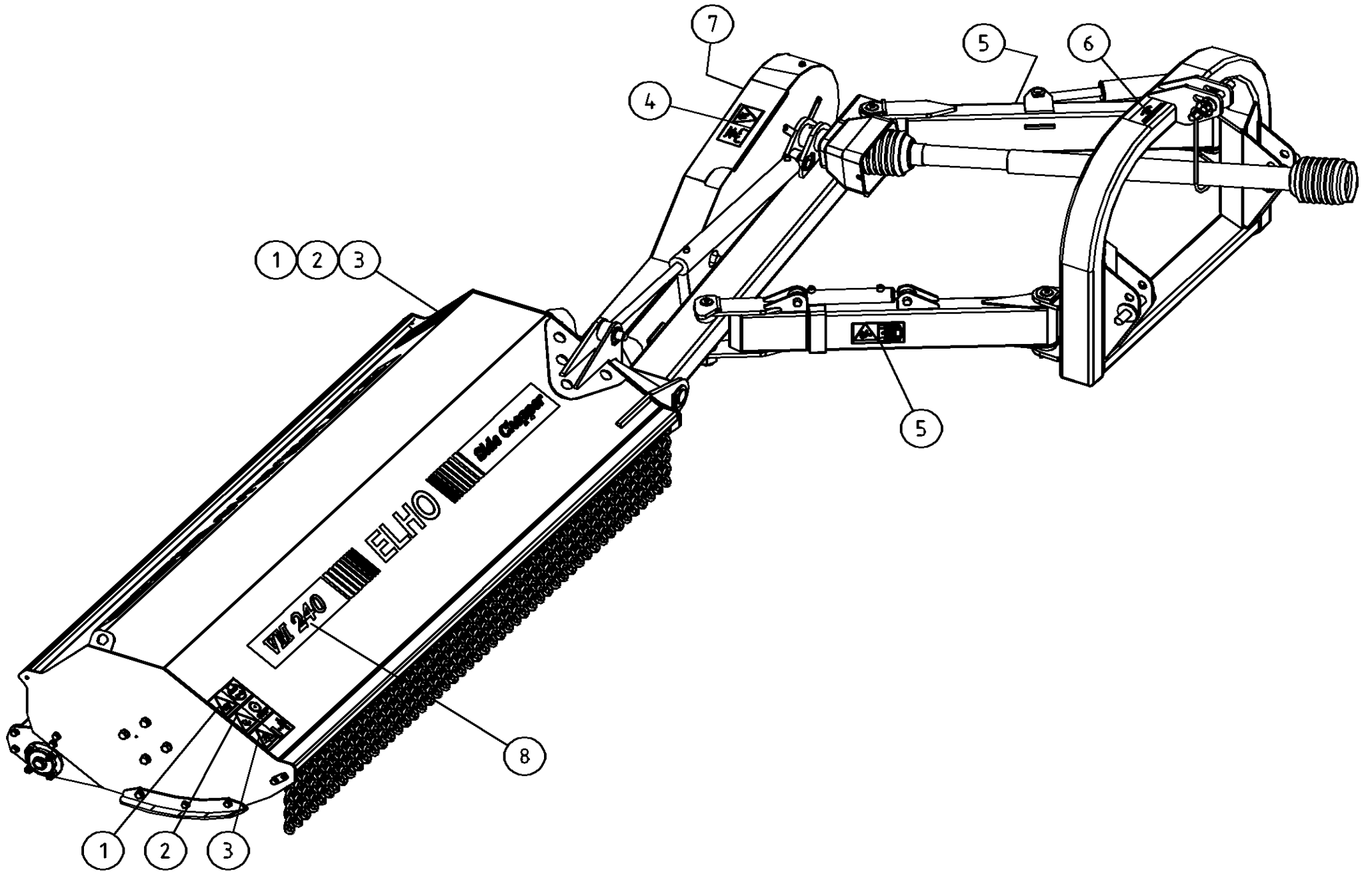



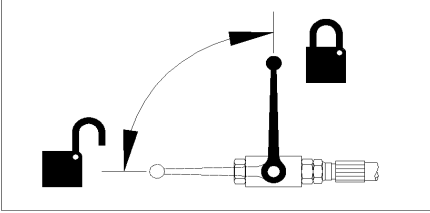
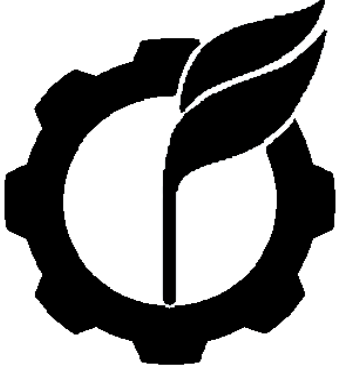



| Pos | Name     | Nahme             | Benämning           | Nimike          |                   | NO     | Pcs |
|-----|----------|-------------------|---------------------|-----------------|-------------------|--------|-----|
| 1   | Casing   | Gehäuse           | Hus                 | Pesä            | 015-01.01.05      | 153381 | 1   |
| 2   | Cogweel  | Zahnrad           | Kugghjul            | Hammaspyörä     | 015-04.02.00 z=16 | 153382 | 1   |
| 3   | Cogweel  | Zahnrad           | Kugghjul            | Hammaspyörä     | 015-04.03.00 z=26 | 153383 | 1   |
| 4   | Axle     | Welle             | Axel                | Akseli          | 015-04.06.02      | 153384 | 1   |
| 5   | Cower    | Deckel            | Lock                | Kansi           | 015-04.05.00      | 153386 | 1   |
| 6   | Oil plug | Ölnachfüllstopfen | Oljepåfyllningsplug | Öljyntäyttölppa | 3/8"              | 508566 | 1   |
| 7   | Shims    | Ausgleichscheibe  | Passbricka          | Säätölevy       | DIN 988 35X45X0,1 | 132338 |     |
|     | Shims    | Ausgleichscheibe  | Passbricka          | Säätölevy       | DIN 988 35X45X0,2 | 132339 |     |
|     | Shims    | Ausgleichscheibe  | Passbricka          | Säätölevy       | DIN 988 35X45X0,5 | 132340 |     |
|     | Shims    | Ausgleichscheibe  | Passbricka          | Säätölevy       | DIN 988 35X45X1   | 132350 |     |
| 8   | Shims    | Ausgleichscheibe  | Passbricka          | Säätölevy       | 63x80x0,1         | 134145 |     |
|     | Shims    | Ausgleichscheibe  | Passbricka          | Säätölevy       | 63x80x0,2         | 134146 |     |
|     | Shims    | Ausgleichscheibe  | Passbricka          | Säätölevy       | 63x80x0,5         | 134147 |     |
| 9   | Plug     | Stopfen           | Propp               | Tulppa          | 3/8" GAS          | 508558 | 2   |
| 10  | Bearing  | Lager             | Kullager            | Laakeri         | 30208             | 140408 | 1   |
| 11  | Bearing  | Lager             | Kullager            | Laakeri         | 30307             | 140417 | 1   |
| 12  | Bearing  | Lager             | Kullager            | Laakeri         | 6307              | 140370 | 1   |
| 13  | Bearing  | Lager             | Kullager            | Laakeri         | 6208              | 140280 | 1   |
| 14  | Lockring | Sicherungsring    | Låsring             | Lukkorengas     | W80               | 132164 | 3   |
| 15  | Lockring | Sicherungsring    | Låsring             | Lukkorengas     | Z35               | 132100 | 2   |
| 16  | Screw    | Bolzen            | Bult                | Pultti          | M10x25 8.8        | 508606 | 6   |
| 17  | Seal     | Wellendichtung    | Axeltätning         | Akselitiiviste  | 40x72x10          | 518614 | 1   |
| 18  | Seal     | Wellendichtung    | Axeltätning         | Akselitiiviste  | 35x80x10          | 458037 | 1   |
| 20  | Spline   | Keile             | Kil                 | Kiila           | 12x8x30           | 508616 | 1   |
| 23  | Axle     | Welle             | Axel                | Akseli          | 015-04.04.04      | 153385 | 1   |

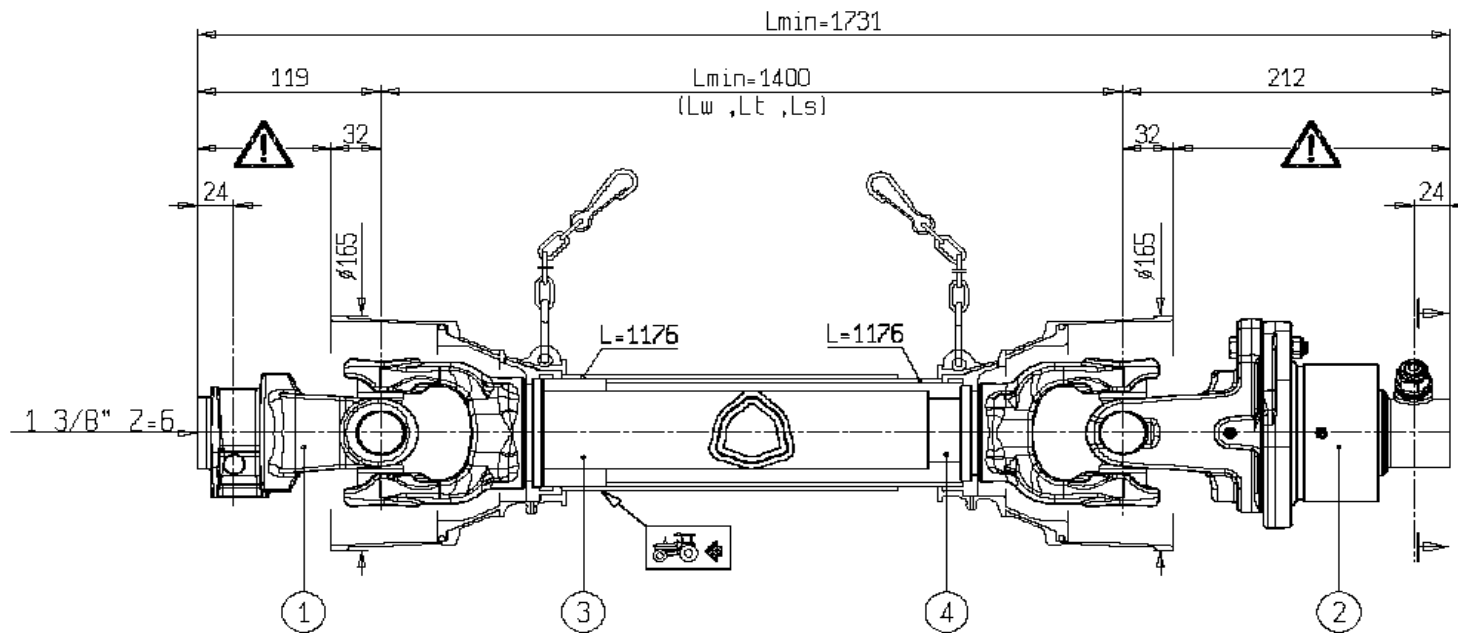


| Pos |  |   | NO      | Pcs |
|-----|--|---|---------|-----|
| 1   |    | Warning remove key<br>Zündschlüsselwarnung<br>Varning stoppa maskinen ta ur nyckeln<br>Varoitus pysäytä kone poista avain             | 508650  | 2   |
| 2   |    | Warning for after running<br>Nachlaufwarnung<br>Varning för eftergång<br>Varoitus jälkikäyntiä  | 508648  | 2   |
| 3   |    | Warning for stone projection<br>Steinschleuderwarnung<br>Varning för stenskott håll avstånd<br>Varoitus kiveniskuista pidä etäisyyttä | 508652  | 2   |
| 4   |    | Protection cower warning<br>Schutzwarnung<br>Varningsdekal för transmission<br>Voimansiirron varoitustarra                            | 508649  | 1   |
| 5   |    | Warning dangerous area<br>Gefarbereichwarnung<br>Varning för farligt område<br>Varoitus varallinen alue                               | 149112  | 2   |
| 6   | <br>TARKISTA NIVELAKSELIN PITUUS JA PIDÄ SEN LIUKUPROFIILIT HYVIN RASVATTUNA<br>KONTROLLERA KRAFTÖVERFÖRINGSAXELNS LÅNGD OCH HÅLL DESS PROFILER VÄLSMORDA | P.T.O. Speed<br>Zapfwellengeschwindigkeit<br>Rotationshastighet för kraftöverföring<br>Voimansiirron pyörimisnopeus                   | 540 rpm | 1   |



| Pos |   | NO     | Pcs |
|-----|---|--------|-----|
|     |    | 149132 | 3   |
|     |    | 149100 | 1   |
| 7   |    | 149701 | 1   |
| 8   |  | 149557 | 2   |
|     |   |        |     |
|     |   |        |     |

| Pos | Name               | Nahme            | Benämning        | Nimike      | NO              | Pcs      |
|-----|--------------------|------------------|------------------|-------------|-----------------|----------|
|     | Optional equipment | Zusatzausrüstung | Extra utrustning | Lisävaruste |                 |          |
|     | PTO shaft          | Gelenkwellen     | Drivaxel         | Nivelakseli | 8106181CE007001 | 152067 1 |

**WARNING!**

SECTIONS OF THE ASSEMBLY MARKED ARE NOT SHIELDED AND MUST BE SHIELDED BY AN INTERACTIVE GUARDING SYSTEM. BONDIOLI & PAVESI DECLINES RESPONSIBILITY IF PROPER GUARDS ARE NOT PROVIDED OR MAINTAINED.

1 3/8" Z=6

|   |                                     |   |                                 |   |                                       |  |                                  |
|---|-------------------------------------|---|---------------------------------|---|---------------------------------------|--|----------------------------------|
| 1 | CODE CODE<br>007                    | LATO TRATTORE<br>TRACTOR SIDE                       | LATO MACCHINA<br>IMPLEMENT SIDE | TIPO-TYPE<br>106-   | CLIENTE / CUSTOMER<br>3800550 ELHO    | RIF. CLIENTE / CUSTOMER REF.                   |                                  |
| 2 | CODE CODE<br>6050H0311R LB/RP2 1850 |   |                                 | DATA / DATE<br>5/12/2005  | DISEGNATO / DESIGNED BY<br>R. Moretti | TIPO DI MACCHINA / TYPE OF IMPLEMENT<br>VM 240 |                                  |
| 3 | <br>L=1235                          | 30,2<br>91,5  | 30,2<br>91,5                    | LUNGHEZZA MAX IN LAVORO<br>MAX WORKING LENGTH<br>LW=1995                | STUDIO / DESIGN                       | ORIGINE / ORIGIN                               |                                  |
| 4 | <br>L=1235                          | VELOCITA' MAX<br>MAX SPEED<br>540 min <sup>-1</sup> | M max<br>2900 Nm                | LUNGHEZZA MAX TEMPORANEA<br>MAX TEMPORARY LENGTH<br>Lt=2193             | NOTE / NOTES                          | SPEC. x CONTROLLO ALLUNGAMENTO                 | CODICE / CODE<br>8106140CE007002 |
|   |                                     |   |                                 | LUNGHEZZA MAX NON IN ADATTAZIONE<br>MAX LENGTH AT STANDSTILL<br>Ls=2292 |                                       |  | REV.                             |

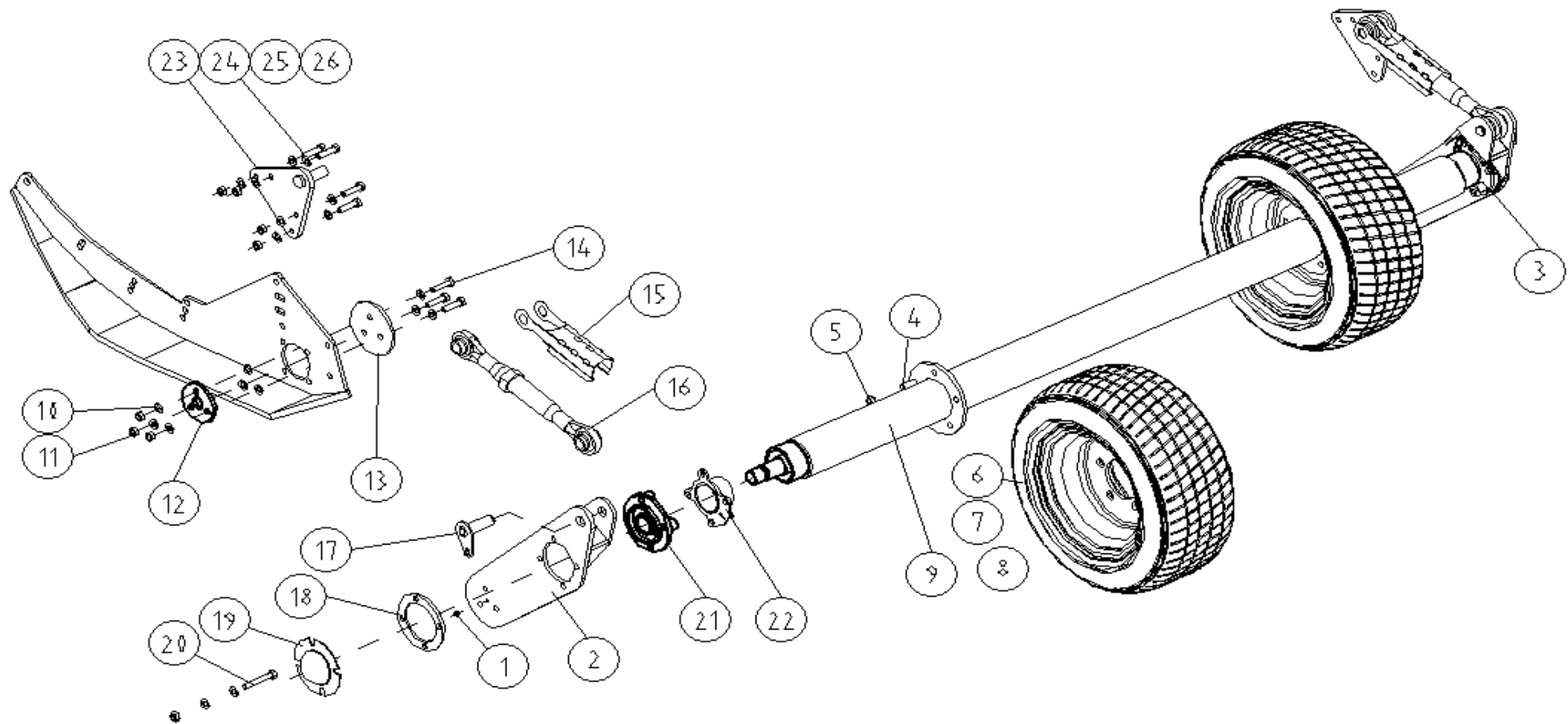
ELHO do not distribute Bondioli & Pavesi parts. Please contact your local Bondioli & Pavesi distributor.

ELHO vermittelt nicht Bondioli & Pavesi Ersatzteile. Bitte wenden Sie sich an Ihre Bondioli & Pavesi Händler.

ELHO tillhandahåller ej Bondioli & Pavesi reservdelar. Vänligen kontakta er Bondioli & Pavesi importör.

ELHO ej varastoi Bondioli & Pavesi varaosia. Bondioli & Pavesi varaosat hoitaa Suomessa Kojaltek.

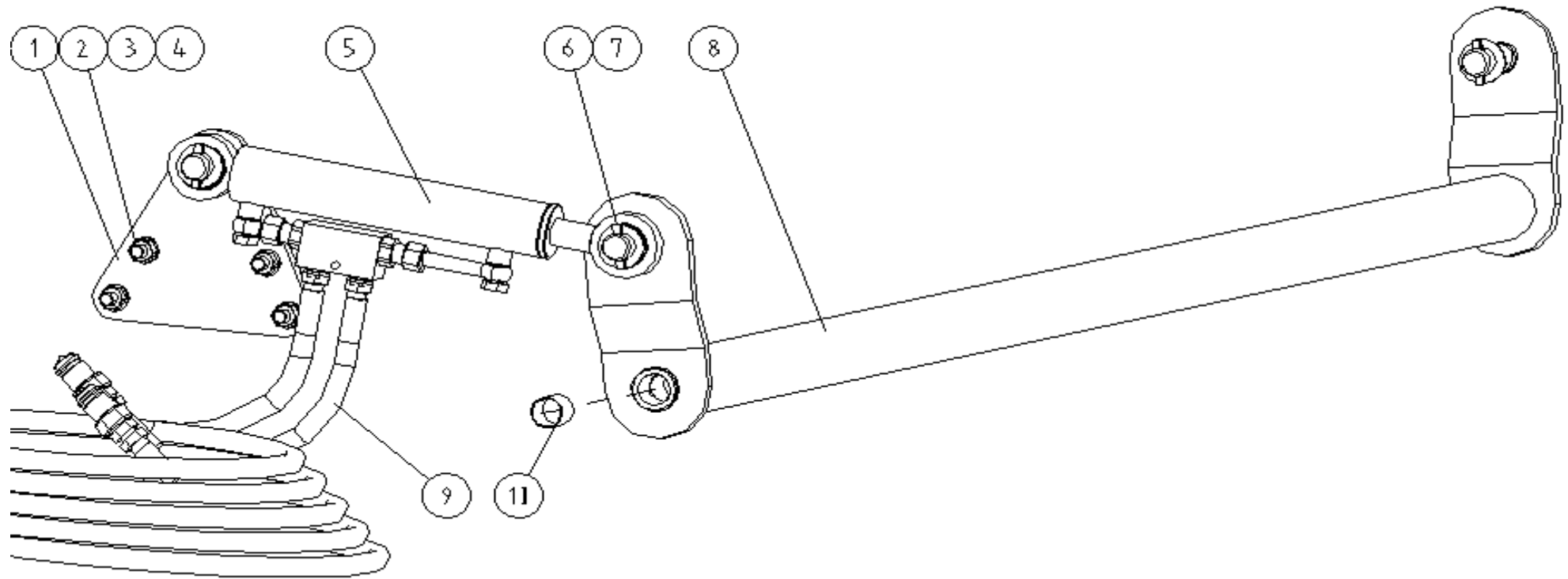




115665.dwg



| Pos | Name               | Nahme         | Benämning                | Nimike            | Kvalitet                   | NO     | Pcs |
|-----|--------------------|---------------|--------------------------|-------------------|----------------------------|--------|-----|
|     | Optional equipment | Zusatzrüstung | Extra utrustning         | Lisävaruste       |                            |        |     |
| 1   | Grease nipple      | Smiernippel   | Smörjnippa               | Voitelunippa      | M6x1                       | 140950 | 2   |
| 2   | Wheelarm           | Rad arm       | Hjularm höger            | Pyöränvarsi       | VM                         | 566692 | 1   |
| 3   | Wheelarm           | Rad arm       | Hjularm vänster          | Pyöränvarsi       | VM                         | 566693 | 1   |
| 4   | Wheel bolt         | Rad boltzen   | Hjulbult                 | Pyöränpultti      | M12x36                     | 528906 | 10  |
| 5   | Wheel nut          | Rad muttern   | Hjulmutter               | Pyöränmutteri     | M12x1,5                    | 528905 | 10  |
| 6   | Tyre               | Reifen        | Däck                     | Rengas            | 225/55-B12 Trelleborg      | 151061 | 2   |
| 7   | Rim                | Felge         | Fälg                     | Vanne             | 10.0/80-12                 | 528053 | 2   |
| 8   | Tube               | Schlauch      | Innerdäck                | Rengas            | STT 23x8.50/10.50-12 TR 13 | 151062 | 2   |
| 9   | Wheel axle         | Rad axle      | Hjulaxel                 | Pyörä akseli      | VM                         | 566730 | 1   |
| 10  | Washer             | Scheibe       | Bricka                   | Aluslaatta        | DIN 125A M12/13 ZN         | 131790 | 50  |
| 11  | Nut                | Muttern       | Låsmutter                | Lukitusmutteri    | DIN 985-8 M12 ZN           | 131600 | 22  |
| 12  | Guide              | Führung       | Styrplåt rund            | Ohjain            | VM                         | 566704 | 2   |
| 13  | Bracket            | Befestigung   | Fästplåt, Hjularm        | Kiinnityspeltti   | TPM                        | 566706 | 2   |
| 14  | Screw              | Schraube      | 6-k Skruv dg             | Kuusioruuvi       | DIN 931 8.8 M12X50 ZN      | 130330 | 6   |
| 15  | Lock               | Schloss       | Låsprofil för tryckstång | Lukitsin          |                            | 566726 | 2   |
| 16  | Lower link arm     | Unterenker    | Nedre länkmarm           | Alemmi nivelvarsi | Ø25 M27x3                  | 520270 | 2   |
| 17  | Pin                | Zapfen        | Tapp                     | Tappi             | Typ F 25                   | 566725 | 4   |
| 18  | Spacer             | Distanz       | Distans                  | Välilevy          |                            | 566058 | 2   |
| 19  | Cover              | Schutz        | Skydd                    | Suoja             |                            | 566708 | 2   |
| 20  | Screw              | Schraube      | 6-k Skruv dg             | Kuusioruuvi       | DIN 931 8.8M12x60ZN        | 130348 | 8   |
| 21  | Bearing            | Lager         | Flänslager               | Laippalaakeri     | UCFC 208                   | 140548 | 2   |
| 22  | Winding guard      | Winkelschutz  | Lindningsskydd           | Kiertoamissuoja   |                            | 566052 | 2   |
| 23  | Plate              | Platte        | Ledplåt1 till markhjul   | Peltti            |                            | 567011 | 2   |
| 24  | Screw              | Schraube      | 6-k Skruv hg             | Kuusioruuvi       | DIN 933 8.8 M12X45 ZN      | 131005 | 8   |
| 25  | Spring pin         | Spannhülsen   | Rörsprint                | Jousisokka        | DIN 1481 8X45 ZN           | 132820 | 2   |
| 26  | Washer             | Scheibe       | Bricka                   | Aluslaatta        | DIN 125A M24/25 ZN         | 131850 | 2   |



115666.dwg

| Pos | Name               | Nahme                | Benämning                   | Nimike         | Kvalitet                   | NO     | Pcs |
|-----|--------------------|----------------------|-----------------------------|----------------|----------------------------|--------|-----|
|     | Optional equipment | Zusatzausrüstung     | Extra utrustning            | Lisävaruste    |                            |        |     |
| 1   | Bracket            | Befestigung          | Cylinderfäste till markhjul | Kiinnityspelti |                            | 567010 | 1   |
| 2   | Screw              | Schraube             | 6-k Skruv hg                | Kuusioruuvi    | DIN 933 8.8 M12X40 ZN      | 131000 | 4   |
| 3   | Washer             | Scheibe              | Bricka                      | Aluslaatta     | DIN 125A M12/13 ZN         | 131790 | 8   |
| 4   | Nut                | Muttern              | Låsmutter                   | Lukitusmutteri | DIN 985-8 M12 ZN           | 131600 | 4   |
| 5   | Cylinder           | Zylinder             | Hjulinställnings Cylinder   | Sylinteri      | VM 200/240                 | 567040 | 1   |
| 6   | Spring pin         | Spannhülsen          | Rörsprint                   | Jousisokka     | DIN 1481 8X45 ZN           | 132820 | 4   |
| 7   | Washer             | Scheibe              | Bricka                      | Aluslaatta     | DIN 125A M24/25 ZN         | 131850 | 4   |
| 8   | Pipe               | Rohr                 | Krengningsrör               | Putki          | VM240                      | 567030 | 1   |
| 9   | Hydraulic hose     | Hydraulik schlauch   | Hydraulslang                | Hydrauliletku  | 1/4" -1/4"-1/2"hane L=5000 | 145236 | 2   |
| 10  | Plain bearing      | Gleitlager           | Glidlager                   | Liukulaakeri   | Ø 25/28 L=30               | 140054 | 2   |
| 11  | Screw              | Schraube             | 6-k Skruv dg                | Kuusioruuvi    | DIN 931 8.8 M10X65 ZN      | 130150 | 2   |
| 12  | Washer             | Scheibe              | Bricka                      | Aluslaatta     | DIN 125A M10/10.5 ZN       | 131770 | 6   |
| 13  | Hose clamp         | Schlauch befestigung | Slanghållare                | Letkunpidike   | 2 x 3/8" + 1 x 1/4"        | 800221 | 3   |
| 14  | Screw              | Schraube             | 6-k Skruv hg                | Kuusioruuvi    | DIN 933 8.8 M10X30 ZN      | 130880 | 4   |
| 15  | Hose clamp         | Schlauch befestigung | Slanghållare                | Letkunpidike   | 2x1/4"                     | 806350 | 4   |

| NO     | Page | Pos | NO     | Page | Pos | NO     | Page | Pos | NO     | Page | Pos | NO     | Page | Pos |
|--------|------|-----|--------|------|-----|--------|------|-----|--------|------|-----|--------|------|-----|
| 115610 | 13   | 14  | 131600 | 3    | 6   | 132338 | 25   | 7   | 140548 | 33   | 21  | 149100 | 29   |     |
| 115630 | 11   | 1   | 131600 | 19   | 40  | 132339 | 25   |     | 140950 | 5    | 10  | 149101 | 19   | 55  |
| 115631 | 7    |     | 131600 | 33   | 11  | 132340 | 25   |     | 140950 | 13   | 2   | 149112 | 27   | 5   |
| 115632 | 8    |     | 131600 | 34   | 4   | 132350 | 25   |     | 140950 | 19   | 41  | 149132 | 29   |     |
| 115634 | 9    |     | 131630 | 3    | 8   | 132420 | 19   | 31  | 140950 | 20   | 6   | 149557 | 29   | 8   |
| 115635 | 10   |     | 131632 | 6    | 2   | 132820 | 33   | 25  | 140950 | 21   | 8   | 149701 | 29   | 7   |
| 130030 | 15   | 5   | 131632 | 7    | 1   | 132820 | 34   | 6   | 140950 | 22   | 6   | 151061 | 33   | 6   |
| 130110 | 13   | 11  | 131632 | 8    | 1   | 132824 | 19   | 45  | 140950 | 33   | 1   | 151062 | 33   | 8   |
| 130150 | 34   | 11  | 131632 | 9    | 1   | 132828 | 13   | 6   | 140951 | 19   | 39  | 152065 | 23   |     |
| 130330 | 17   | 27  | 131632 | 10   | 1   | 132870 | 13   | 27  | 140960 | 17   | 3   | 152067 | 30   |     |
| 130330 | 33   | 14  | 131660 | 19   | 28  | 132968 | 5    | 7   | 143102 | 20   | 4   | 153381 | 25   | 1   |
| 130348 | 3    | 13  | 131750 | 17   | 21  | 132968 | 19   | 56  | 143122 | 15   | 3   | 153382 | 25   | 2   |
| 130348 | 33   | 20  | 131770 | 3    | 21  | 132980 | 17   | 10  | 143138 | 19   | 52  | 153383 | 25   | 3   |
| 130390 | 19   | 47  | 131770 | 17   | 12  | 133209 | 13   | 18  | 143138 | 20   | 3   | 153384 | 25   | 4   |
| 130500 | 5    | 12  | 131770 | 34   | 12  | 133366 | 13   | 29  | 143160 | 19   | 49  | 153385 | 25   | 23  |
| 130531 | 17   | 2   | 131790 | 3    | 4   | 133460 | 5    | 3   | 143180 | 15   | 10  | 153386 | 25   | 5   |
| 130536 | 7    | 5   | 131790 | 33   | 10  | 133465 | 5    | 11  | 143182 | 19   | 48  | 157551 | 9    | 4   |
| 130536 | 8    | 5   | 131790 | 34   | 3   | 133465 | 17   | 1   | 143284 | 15   | 2   | 157552 | 8    | 4   |
| 130536 | 9    | 6   | 131810 | 3    | 10  | 133650 | 13   | 19  | 143317 | 15   | 9   | 157552 | 9    | 5   |
| 130536 | 10   | 4   | 131810 | 6    | 3   | 134145 | 25   | 8   | 144020 | 19   | 51  | 157553 | 6    | 5   |
| 130537 | 6    | 6   | 131810 | 7    | 2   | 134146 | 25   |     | 144493 | 20   | 2   | 157553 | 7    | 4   |
| 130720 | 17   | 20  | 131810 | 8    | 2   | 134147 | 25   |     | 145015 | 13   | 9   | 157555 | 10   | 3   |
| 130860 | 13   | 16  | 131810 | 9    | 2   | 140040 | 13   | 26  | 145050 | 15   | 7   | 404545 | 17   | 18  |
| 130860 | 17   | 6   | 131810 | 10   | 2   | 140050 | 19   | 37  | 145234 | 19   | 53  | 456191 | 17   | 19  |
| 130880 | 3    | 20  | 131850 | 33   | 26  | 140050 | 21   | 7   | 145236 | 34   | 9   | 458037 | 25   | 18  |
| 130880 | 17   | 11  | 131850 | 34   | 7   | 140051 | 21   | 6   | 146002 | 19   | 50  | 500323 | 13   | 28  |
| 130880 | 34   | 14  | 131865 | 13   | 5   | 140054 | 34   | 10  | 146002 | 20   | 5   | 503982 | 6    | 4   |
| 130971 | 19   | 38  | 131930 | 17   | 7   | 140068 | 19   | 42  | 146003 | 15   | 6   | 503982 | 7    | 3   |
| 130980 | 3    | 5   | 131971 | 9    | 3   | 140143 | 17   | 15  | 146037 | 21   | 9   | 503982 | 8    | 3   |
| 131000 | 5    | 2   | 132070 | 19   | 35  | 140280 | 25   | 13  | 146037 | 22   | 8   | 508558 | 25   | 9   |
| 131000 | 34   | 2   | 132100 | 25   | 15  | 140291 | 5    | 5   | 146088 | 20   | 1   | 508566 | 25   | 6   |
| 131005 | 33   | 24  | 132140 | 19   | 30  | 140295 | 19   | 32  | 146088 | 21   |     | 508606 | 25   | 16  |
| 131180 | 3    | 9   | 132157 | 5    | 6   | 140370 | 25   | 12  | 146092 | 15   | 8   | 508616 | 25   | 20  |
| 131570 | 17   | 22  | 132159 | 17   | 14  | 140408 | 25   | 10  | 146093 | 15   |     | 508648 | 27   | 2   |
| 131580 | 3    | 22  | 132164 | 25   | 14  | 140417 | 25   | 11  | 146156 | 19   | 44  | 508649 | 27   | 4   |
| 131580 | 17   | 16  | 132280 | 19   | 36  | 140547 | 3    | 16  | 146156 | 22   |     | 508650 | 27   | 1   |

